

SPECIFICATION SHEET

COLLECTION: CAMEO
PRODUCT CODE: CAM-TS3-SQ



COLLECTION NAME

Cameo

FINISH

Arctic White

GUARANTEE

5 Year Guarantee

FURNITURE TYPE

Toilet Seat

SHAPE

Soft Square

CLOSE/OPEN SYSTEM

Soft Close Hinges

CONNECTIONS / FITTINGS

Supplied with chrome hinges

tel: 01934 744466
email: sales@vado.com
www.vado.com

WHERE INSPIRATION FLOWS
TAPS | SHOWERS | ACCESSORIES



SPECIFICATION SHEET

COLLECTION: CAMEO

PRODUCT CODE: CAM-TS3-SQ

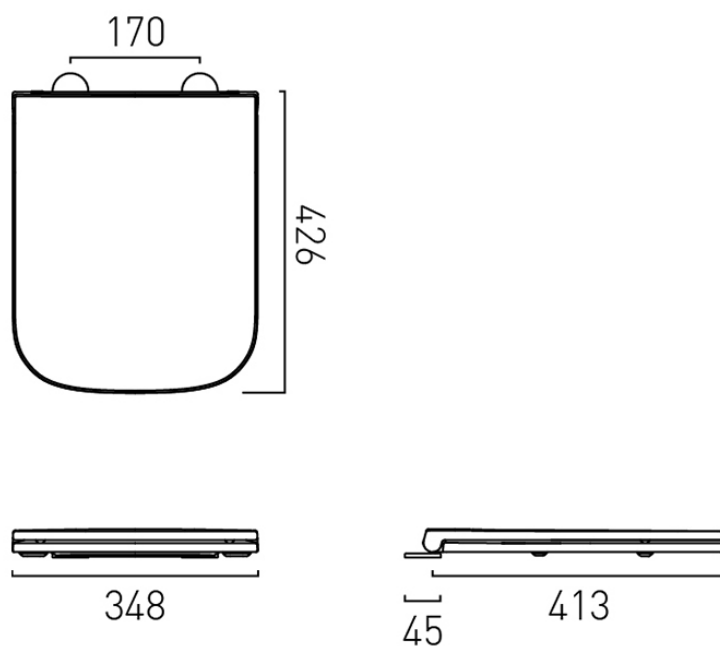
tel: 01934 744466
email: sales@vado.com
www.vado.com

WHERE INSPIRATION FLOWS
TAPS | SHOWERS | ACCESSORIES



TECHNICAL DRAWING

COLLECTION: CAMEO
PRODUCT CODE: CAM-TS3-SQ



tel: 01934 744466
email: sales@vado.com
www.vado.com

WHERE INSPIRATION FLOWS
TAPS | SHOWERS | ACCESSORIES

