

SPECIFICATION SHEET

COLLECTION: CAMEO
PRODUCT CODE: CAM-BMO-CP



COLLECTION NAME

Cameo

HOLES

1 Hole

FINISH

Chrome

GUARANTEE

15 Year Guarantee

FURNITURE TYPE

Basin Overflow Cover

BASIN SUITABILITY

Mineral Cast

tel: 01934 744466
email: sales@vado.com
www.vado.com

WHERE INSPIRATION FLOWS
TAPS | SHOWERS | ACCESSORIES



SPECIFICATION SHEET

COLLECTION: CAMEO
PRODUCT CODE: CAM-BMO-CP

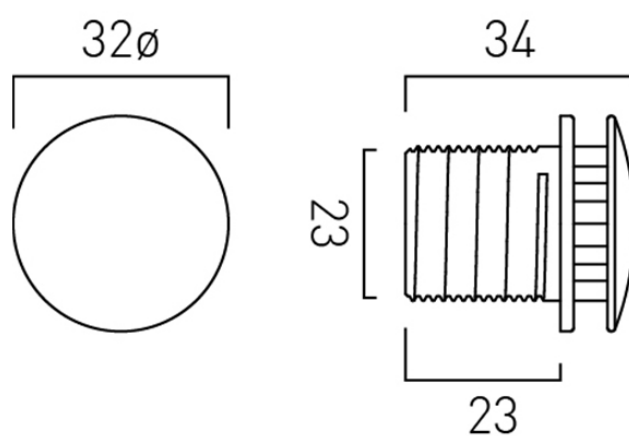
tel: 01934 744466
email: sales@vado.com
www.vado.com

WHERE INSPIRATION FLOWS
TAPS | SHOWERS | ACCESSORIES



TECHNICAL DRAWING

COLLECTION: CAMEO
PRODUCT CODE: CAM-BMO-CP



tel: 01934 744466
email: sales@vado.com
www.vado.com

WHERE INSPIRATION FLOWS
TAPS | SHOWERS | ACCESSORIES

