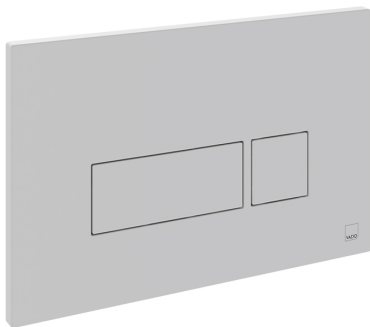


SPECIFICATION SHEET

COLLECTION: CAMEO

PRODUCT CODE: WG-195-SQ-MW



TRIM KIT

Horizontal Square Dual Flush

PNEUMATIC FLUSH CONTROLS

2 Pneumatic Flush Actuation Controls

BACKPLATE

Rectangle

FINISH

Matt White

COLLECTION NAME

Cameo

GUARANTEE

10 Year Guarantee

MOUNTING

Wall Mounted

STYLE

Square

tel: 01934 744466
email: sales@vado.com
www.vado.com

WHERE INSPIRATION FLOWS
TAPS | SHOWERS | ACCESSORIES



SPECIFICATION SHEET

COLLECTION: CAMEO

PRODUCT CODE: WG-195-SQ-MW

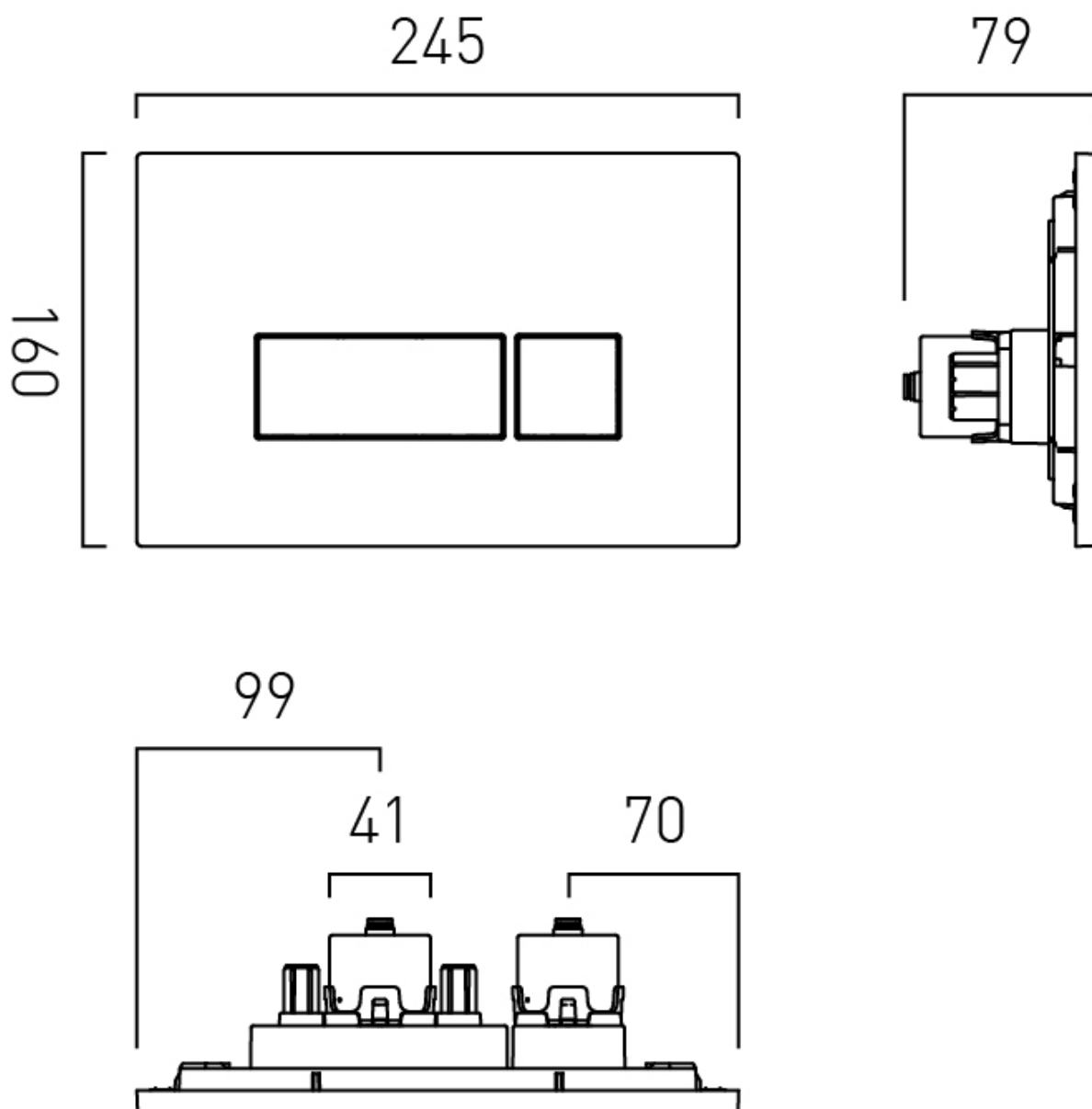
tel: 01934 744466
email: sales@vado.com
www.vado.com

WHERE INSPIRATION FLOWS
TAPS | SHOWERS | ACCESSORIES



TECHNICAL DRAWING

COLLECTION: CAMEO
PRODUCT CODE: WG-195-SQ-MW



tel: 01934 744466
email: sales@vado.com
www.vado.com

WHERE INSPIRATION FLOWS
TAPS | SHOWERS | ACCESSORIES

