

SPECIFICATION SHEET

COLLECTION: CAMEO

PRODUCT CODE: MUS-082B-WHT-SBR



ACCESSORY TYPE

Soap Dish and Dispenser

STYLE

Square

COLLECTION NAME

Cameo

FINISH

Satin Brass

GUARANTEE

10 Year Guarantee

MOUNTING

Wall Mounted

tel: 01934 744466
email: sales@vado.com
www.vado.com

WHERE INSPIRATION FLOWS
TAPS | SHOWERS | ACCESSORIES



SPECIFICATION SHEET

COLLECTION: CAMEO

PRODUCT CODE: MUS-082B-WHT-SBR

tel: 01934 744466
email: sales@vado.com
www.vado.com

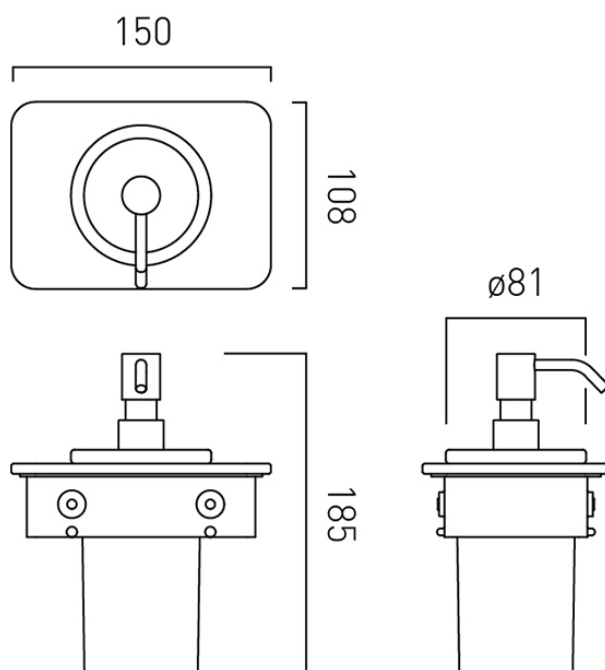
WHERE INSPIRATION FLOWS
TAPS | SHOWERS | ACCESSORIES



TECHNICAL DRAWING

COLLECTION: CAMEO

PRODUCT CODE: MUS-082B-WHT-SBR



tel: 01934 744466
email: sales@vado.com
www.vado.com

WHERE INSPIRATION FLOWS
TAPS | SHOWERS | ACCESSORIES

