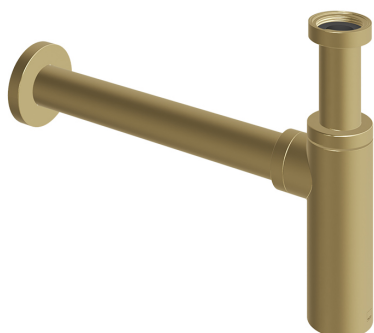


SPECIFICATION SHEET

COLLECTION: CAMEO
PRODUCT CODE: WG-461/RO-SBR



TAP TYPE

Wastes and Fittings

COLLECTION NAME

Cameo

FINISH

Satin Brass

GUARANTEE

10 Year Guarantee

PLUMBING SYSTEM SUITABILITY

Pressurised System

STYLE

Round

CONNECTIONS / FITTINGS

35mm x 300mm pipe connections

INSTALLATION TOLERANCES

min-max vertical adjustment 40-150mm to outlet centre

tel: 01934 744466
email: sales@vado.com
www.vado.com

WHERE INSPIRATION FLOWS
TAPS | SHOWERS | ACCESSORIES



SPECIFICATION SHEET

COLLECTION: CAMEO

PRODUCT CODE: WG-461/RO-SBR

tel: 01934 744466
email: sales@vado.com
www.vado.com

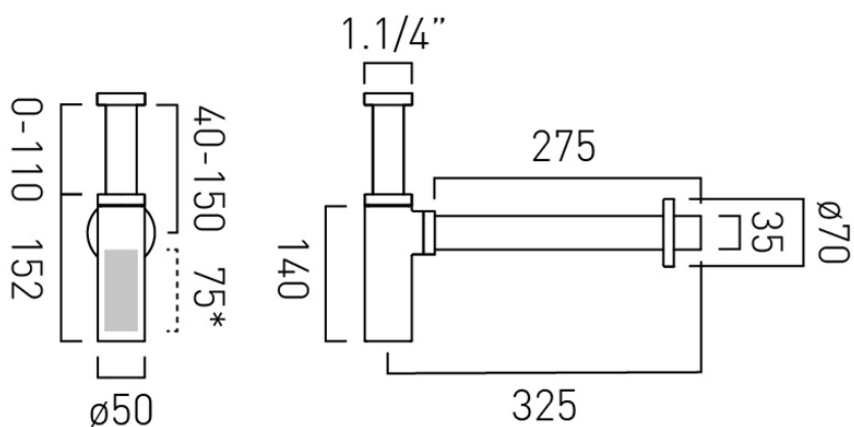
WHERE INSPIRATION FLOWS
TAPS | SHOWERS | ACCESSORIES



TECHNICAL DRAWING

COLLECTION: CAMEO

PRODUCT CODE: WG-461/RO-SBR



*75mm water trap seal