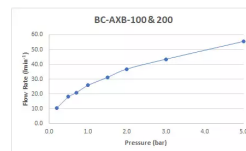


SPECIFICATION SHEET

COLLECTION: AXBRIDGE
PRODUCT CODE: BC-AXB-100/SB-CP



TAP TYPE

Basin Mixer

COLLECTION NAME

Axbridge

FINISH

Chrome

MINIMUM OPERATING PRESSURE

0.2 Bar LP

GUARANTEE

15 Year Guarantee

HANDLES

2 Handle

WITH ECOTURN COLD START TECHNOLOGY

No

WITH WATER FLOW STRAIGHTENER

Yes

WITH WATER FLOW AERATOR

No

tel: 01934 744466
email: sales@vado.com
www.vado.com

WHERE INSPIRATION FLOWS
TAPS | SHOWERS | ACCESSORIES



SPECIFICATION SHEET

COLLECTION: AXBRIDGE
PRODUCT CODE: BC-AXB-100/SB-CP

CONNECTIONS / FITTINGS

2 x 1/2" x 400mm flexipipe connections

SPARE PARTS

cold ceramic cartridge FL-501-RTC, hot ceramic cartridge FL-501-LTC

DECK HOLE DRILL DIAMETER

35mm

WASTE

None (Smooth Bodied)

STYLE

Traditional

HOLES

1 Hole

MOUNTING

Deck Mounted

PLUMBING SYSTEM SUITABILITY

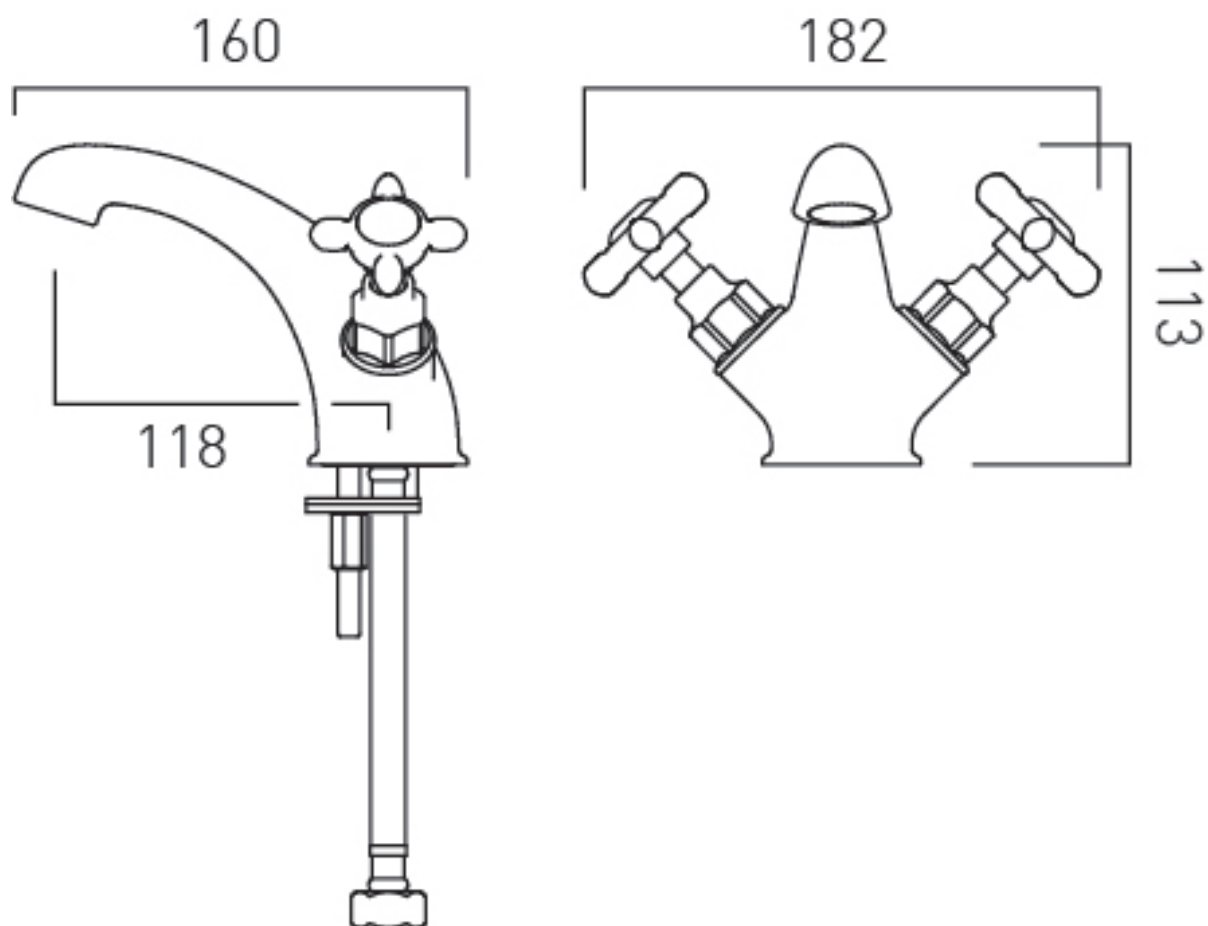
Gravity System



TECHNICAL DRAWING

COLLECTION: AXBRIDGE

PRODUCT CODE: BC-AXB-100/SB-CP



tel: 01934 744466
email: sales@vado.com
www.vado.com

WHERE INSPIRATION FLOWS
TAPS | SHOWERS | ACCESSORIES

