

SPECIFICATION SHEET

COLLECTION: AXBRIDGE
PRODUCT CODE: BC-AXB-461-CP



TAP TYPE

Wastes and Fittings

COLLECTION NAME

Axbridge

FINISH

Chrome

GUARANTEE

15 Year Guarantee

PLUMBING SYSTEM SUITABILITY

Pressurised System

STYLE

Traditional

CONNECTIONS / FITTINGS

35mm x 300mm pipe connections

INSTALLATION TOLERANCES

min-max vertical adjustment 45-150mm 0-105 to outlet centre

tel: 01934 744466
email: sales@vado.com
www.vado.com

WHERE INSPIRATION FLOWS
TAPS | SHOWERS | ACCESSORIES



SPECIFICATION SHEET

COLLECTION: AXBRIDGE
PRODUCT CODE: BC-AXB-461-CP

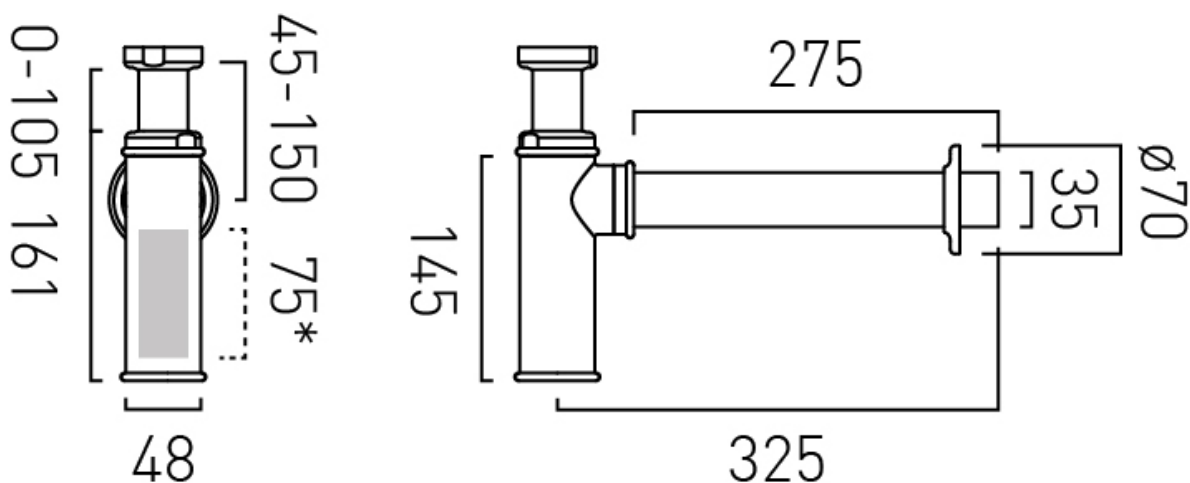
tel: 01934 744466
email: sales@vado.com
www.vado.com

WHERE INSPIRATION FLOWS
TAPS | SHOWERS | ACCESSORIES



TECHNICAL DRAWING

COLLECTION: AXBRIDGE
PRODUCT CODE: BC-AXB-461-CP



*75mm water trap seal