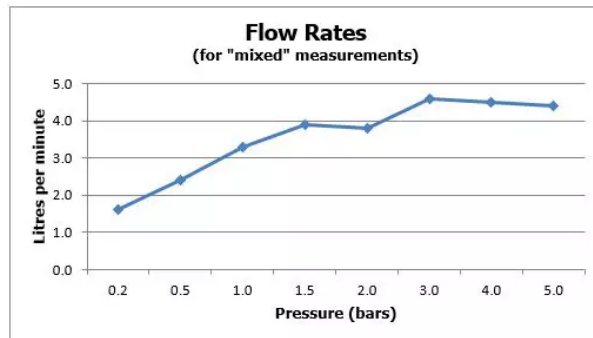


SPECIFICATION SHEET

COLLECTION: EDIT

PRODUCT CODE: IND-EDI100E/SB-BLK



TAP TYPE

Basin Mixer

COLLECTION NAME

Edit

FINISH

Brushed Black

RECOMMENDED FLOW REGULATOR

5 l/m flow regulator fitted as standard

MINIMUM OPERATING PRESSURE

1.0 Bar MP

MAXIMUM OPERATING PRESSURE

5.0 Bar LP

GUARANTEE

15 Year Guarantee

HANDLES

Single Lever

WITH ECOTURN COLD START TECHNOLOGY

No

tel: 01934 744466
email: sales@vado.com
www.vado.com

WHERE INSPIRATION FLOWS
TAPS | SHOWERS | ACCESSORIES



SPECIFICATION SHEET

COLLECTION: EDIT

PRODUCT CODE: IND-EDI100E/SB-BLK

WITH WATER FLOW STRAIGHTENER

No

WITH WATER FLOW AERATOR

No

CONNECTIONS / FITTINGS

2 x 1/2" 400mm flexipipe connection

SPARE PARTS

ceramic cartridge C-010-N25

DECK HOLE DRILL DIAMETER

35mm

MOUNTING

Deck Mounted

PLUMBING SYSTEM SUITABILITY

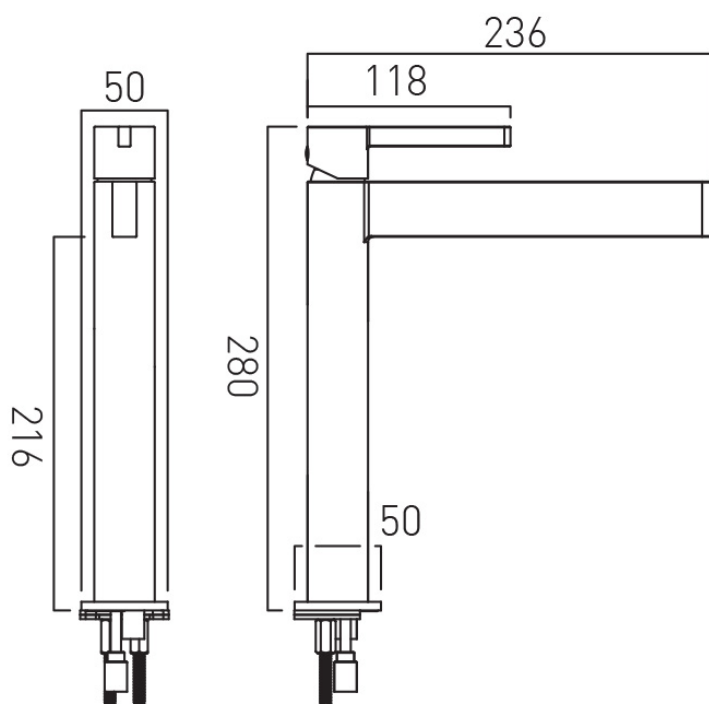
Pumped System, Combination Boiler, Pressurised System



TECHNICAL DRAWING

COLLECTION: EDIT

PRODUCT CODE: IND-EDI100E/SB-BLK



tel: 01934 744466
email: sales@vado.com
www.vado.com

WHERE INSPIRATION FLOWS
TAPS | SHOWERS | ACCESSORIES

