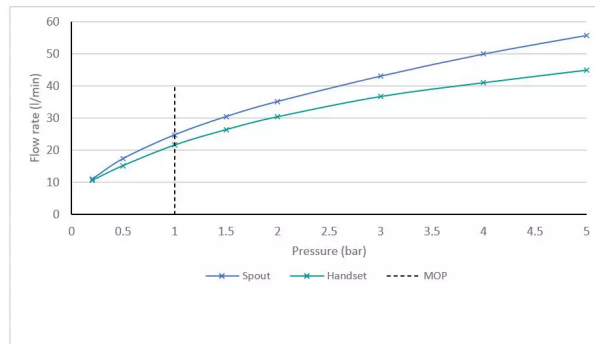


SPECIFICATION SHEET

COLLECTION: EDIT

PRODUCT CODE: IND-EDI130+K-BLK



TAP TYPE

Bath Shower Mixer

WITH SHOWER KIT

Yes

WITH EASY-FIT BRACKETS

No

WITH INTEGRATED DIVERTER

No

WITH THERMOSTATIC TECHNOLOGY

No

FOR USE WITH BATH FILLER WASTE AND OVERFLOW

No

WITH BATH SPOUT

No

WITH AIR-INJECTION TECHNOLOGY

Yes

HOSE

includes 150cm smooth hose

tel: 01934 744466
email: sales@vado.com
www.vado.com

WHERE INSPIRATION FLOWS
TAPS | SHOWERS | ACCESSORIES



SPECIFICATION SHEET

COLLECTION: EDIT

PRODUCT CODE: IND-EDI130+K-BLK

WITH WATER FLOW STRAIGHTENER

No

WITH WATER FLOW AERATOR

No

CONNECTIONS / FITTINGS

2 x 3/4" 50mm fitted tails

SPARE PARTS

cold ceramic cartridge C-302-RTC hot ceramic cartridge C-302-LTC

DECK HOLE DRILL DIAMETER

2 x 28-30mm

HOLES

2 Hole

MOUNTING

Deck Mounted

PLUMBING SYSTEM SUITABILITY

Pumped System, Combination Boiler, Pressurised System

COLLECTION NAME

Edit

FINISH

Brushed Black

RECOMMENDED FLOW REGULATOR

FR-SHOWER/9-C/P

MINIMUM OPERATING PRESSURE

1.0 Bar MP

SPECIFICATION SHEET

COLLECTION: EDIT

PRODUCT CODE: IND-EDI130+K-BLK

GUARANTEE

15 Year Guarantee

tel: 01934 744466
email: sales@vado.com
www.vado.com

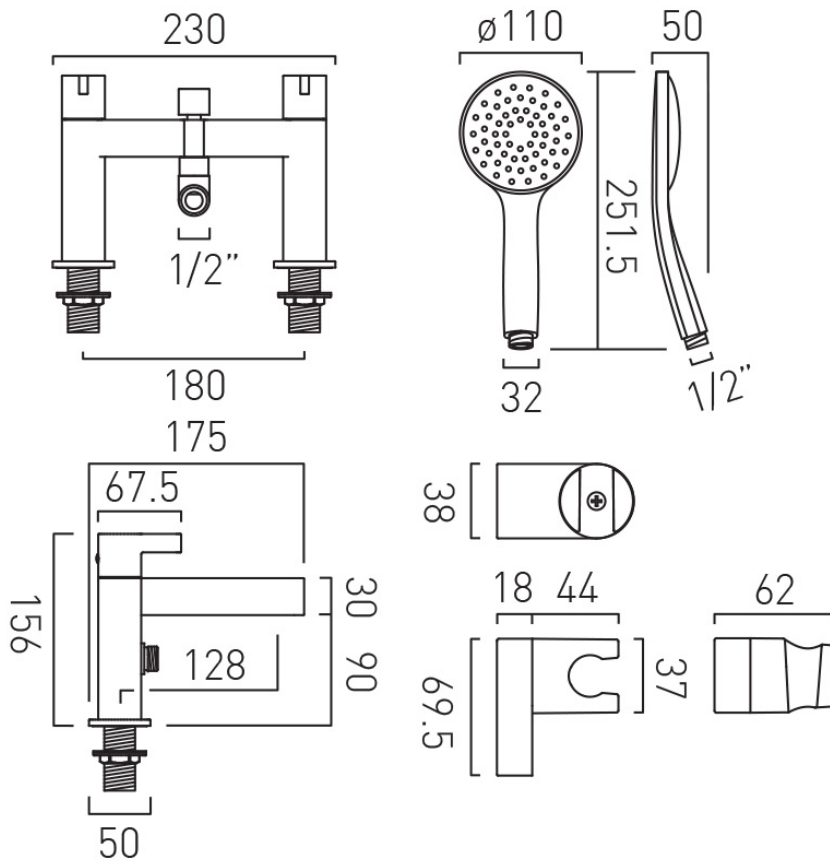
WHERE INSPIRATION FLOWS
TAPS | SHOWERS | ACCESSORIES



TECHNICAL DRAWING

COLLECTION: EDIT

PRODUCT CODE: IND-EDI130+K-BLK



tel: 01934 744466
email: sales@vado.com
www.vado.com

WHERE INSPIRATION FLOWS
TAPS | SHOWERS | ACCESSORIES

