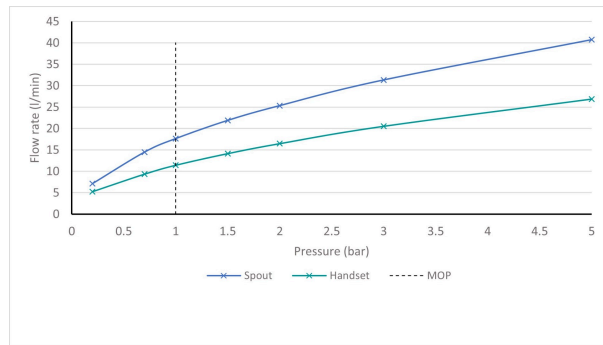


SPECIFICATION SHEET

COLLECTION: ORIGINS
PRODUCT CODE: IND-ORI233A-BLK



TAP TYPE

Bath Shower Mixer

WITH SHOWER KIT

Yes

WITH EASY-FIT BRACKETS

No

WITH INTEGRATED DIVERTER

No

WITH THERMOSTATIC TECHNOLOGY

No

FOR USE WITH BATH FILLER WASTE AND OVERFLOW

No

WITH BATH SPOUT

Yes

WITH AIR-INJECTION TECHNOLOGY

No

WITH WATER FLOW STRAIGHTENER

Yes

tel: 01934 744466
email: sales@vado.com
www.vado.com

WHERE INSPIRATION FLOWS
TAPS | SHOWERS | ACCESSORIES



SPECIFICATION SHEET

COLLECTION: ORIGINS
PRODUCT CODE: IND-ORI233A-BLK

WITH WATER FLOW AERATOR

No

INSTALLATION TOLERANCES

Clearance 950mm from floor to spout

CONNECTIONS / FITTINGS

2 x 1/2" female threaded connections

HANDLES

Single Lever

SPARE PARTS

Ceramic cartridge C-004-N40

STYLE

Round

MOUNTING

Floor Mounted

PLUMBING SYSTEM SUITABILITY

Pressurised System

COLLECTION NAME

Origins

FINISH

Brushed Black

RECOMMENDED FLOW REGULATOR

FR-FLEXI/8-PLA

MINIMUM OPERATING PRESSURE

1.0 Bar MP

SPECIFICATION SHEET

COLLECTION: ORIGINS
PRODUCT CODE: IND-ORI233A-BLK

MAXIMUM OPERATING PRESSURE

5.0 Bar LP

GUARANTEE

15 Year Guarantee

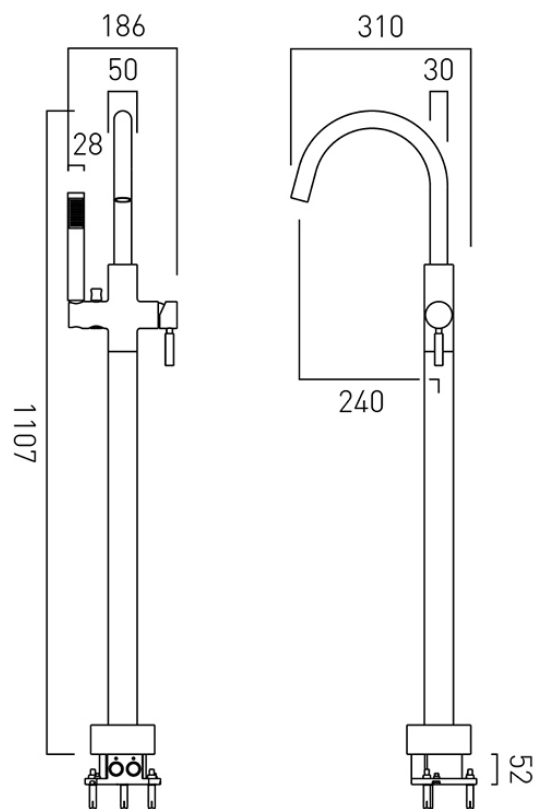
tel: 01934 744466
email: sales@vado.com
www.vado.com

WHERE INSPIRATION FLOWS
TAPS | SHOWERS | ACCESSORIES



TECHNICAL DRAWING

COLLECTION: ORIGINS
PRODUCT CODE: IND-ORI233A-BLK



tel: 01934 744466
email: sales@vado.com
www.vado.com

WHERE INSPIRATION FLOWS
TAPS | SHOWERS | ACCESSORIES

