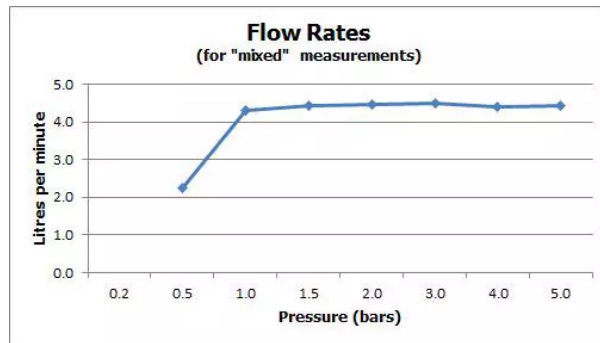


SPECIFICATION SHEET

COLLECTION: I-TECH

PRODUCT CODE: IND-IRWSPOUT-BLK



TAP TYPE

Infra-red

PLUMBING SYSTEM SUITABILITY

Pumped System, Combination Boiler, Pressurised System

MOUNTING

Deck Mounted

WITH WATER FLOW AERATOR

No

NOTES

Mains or battery operated
Takes standard AA batteries

COLLECTION NAME

I-Tech

FINISH

Brushed Black

RECOMMENDED FLOW REGULATOR

4 l/m flow regulator fitted as standard

MINIMUM OPERATING PRESSURE

1.0 Bar MP

tel: 01934 744466
email: sales@vado.com
www.vado.com

WHERE INSPIRATION FLOWS
TAPS | SHOWERS | ACCESSORIES



SPECIFICATION SHEET

COLLECTION: I-TECH

PRODUCT CODE: IND-IRWSPOUT-BLK

MAXIMUM OPERATING PRESSURE

5.0 Bar LP

GUARANTEE

5 Year Guarantee

tel: 01934 744466
email: sales@vado.com
www.vado.com

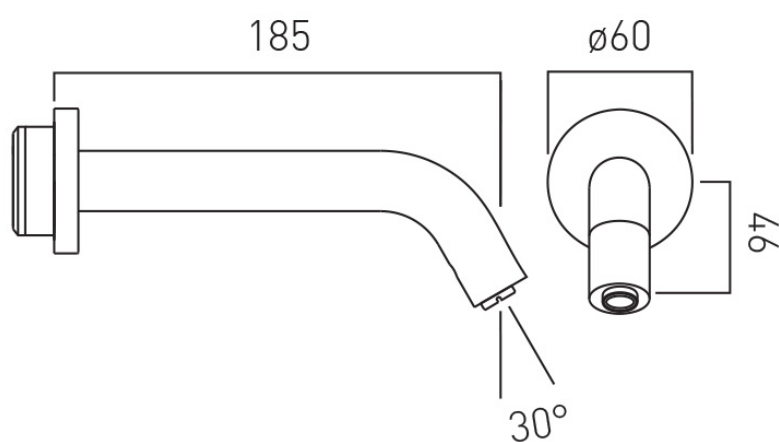
WHERE INSPIRATION FLOWS
TAPS | SHOWERS | ACCESSORIES



TECHNICAL DRAWING

COLLECTION: I-TECH

PRODUCT CODE: IND-IRWSPOUT-BLK



tel: 01934 744466
email: sales@vado.com
www.vado.com

WHERE INSPIRATION FLOWS
TAPS | SHOWERS | ACCESSORIES

