

SPECIFICATION SHEET

COLLECTION: SHAMA
PRODUCT CODE: IND-18501-BLK



ACCESSORY TYPE

Shelves

COLLECTION NAME

Shama

FINISH

Brushed Black

GUARANTEE

15 Year Guarantee

tel: 01934 744466
email: sales@vado.com
www.vado.com

WHERE INSPIRATION FLOWS
TAPS | SHOWERS | ACCESSORIES



SPECIFICATION SHEET

COLLECTION: SHAMA

PRODUCT CODE: IND-18501-BLK

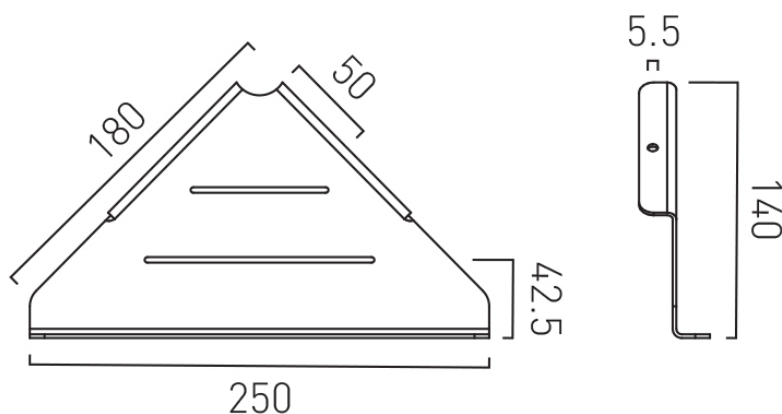
tel: 01934 744466
email: sales@vado.com
www.vado.com

WHERE INSPIRATION FLOWS
TAPS | SHOWERS | ACCESSORIES



TECHNICAL DRAWING

COLLECTION: SHAMA
PRODUCT CODE: IND-18501-BLK



tel: 01934 744466
email: sales@vado.com
www.vado.com

WHERE INSPIRATION FLOWS
TAPS | SHOWERS | ACCESSORIES

