

# SPECIFICATION SHEET

COLLECTION: EDIT

PRODUCT CODE: IND-EDI100E/SB-BRZ



## TAP TYPE

Basin Mixer

## COLLECTION NAME

Edit

## FINISH

Brushed Bronze

## RECOMMENDED FLOW REGULATOR

5 lpm fitted as standard

## MINIMUM OPERATING PRESSURE

1.0 Bar MP

## MAXIMUM OPERATING PRESSURE

5.0 Bar LP

## GUARANTEE

15 Year Guarantee

## HANDLES

Single Lever

## WITH ECOTURN COLD START TECHNOLOGY

No

tel: 01934 744466  
email: [sales@vado.com](mailto:sales@vado.com)  
[www.vado.com](http://www.vado.com)

WHERE INSPIRATION FLOWS  
TAPS | SHOWERS | ACCESSORIES



# SPECIFICATION SHEET

COLLECTION: EDIT

PRODUCT CODE: IND-EDI100E/SB-BRZ

## WITH WATER FLOW STRAIGHTENER

No

## WITH WATER FLOW AERATOR

No

## CONNECTIONS / FITTINGS

2 x 1/2" 400mm fl exipipe connection

## SPARE PARTS

ceramic cartridge C-010-N25

## DECK HOLE DRILL DIAMETER

35mm

## STYLE

Round

## MOUNTING

Deck Mounted

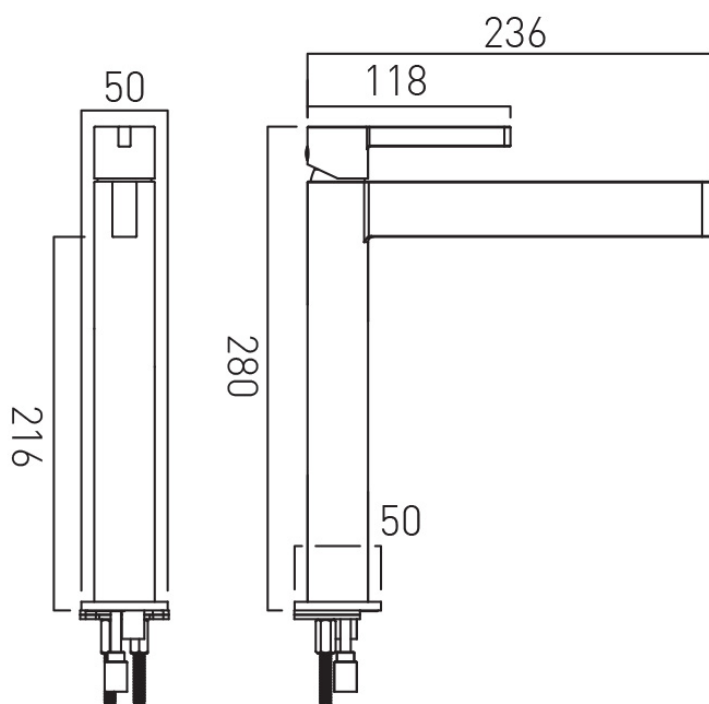
## PLUMBING SYSTEM SUITABILITY

Pressurised System

# TECHNICAL DRAWING

COLLECTION: EDIT

PRODUCT CODE: IND-EDI100E/SB-BRZ



tel: 01934 744466  
email: sales@vado.com  
www.vado.com

WHERE INSPIRATION FLOWS  
TAPS | SHOWERS | ACCESSORIES

