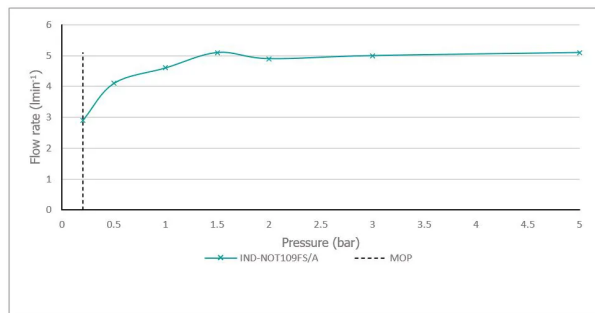


# SPECIFICATION SHEET

COLLECTION: NOTION

PRODUCT CODE: IND-NOT109FS/A-BRN



## TAP TYPE

Basin Mixer

## COLLECTION NAME

Notion

## FINISH

Brushed Nickel

## RECOMMENDED FLOW REGULATOR

5 l/m flow regulator fitted as standard

## MINIMUM OPERATING PRESSURE

0.2 Bar LP

## MAXIMUM OPERATING PRESSURE

5.0 Bar LP

## GUARANTEE

15 Year Guarantee

## HANDLES

Single Lever

## WITH ECOTURN COLD START TECHNOLOGY

No

tel: 01934 744466  
email: [sales@vado.com](mailto:sales@vado.com)  
[www.vado.com](http://www.vado.com)

WHERE INSPIRATION FLOWS  
TAPS | SHOWERS | ACCESSORIES



# SPECIFICATION SHEET

COLLECTION: NOTION

PRODUCT CODE: IND-NOT109FS/A-BRN

## WITH WATER FLOW STRAIGHTENER

No

## WITH WATER FLOW AERATOR

Yes

## INSTALLATION TOLERANCES

min-max wall mount 53-73mm

## CONNECTIONS / FITTINGS

2 x 1/2" inlets

## SPARE PARTS

ceramic cartridge CAR-K35B

## STYLE

Rectangular

## HOLES

2 Hole

## MOUNTING

Wall Mounted

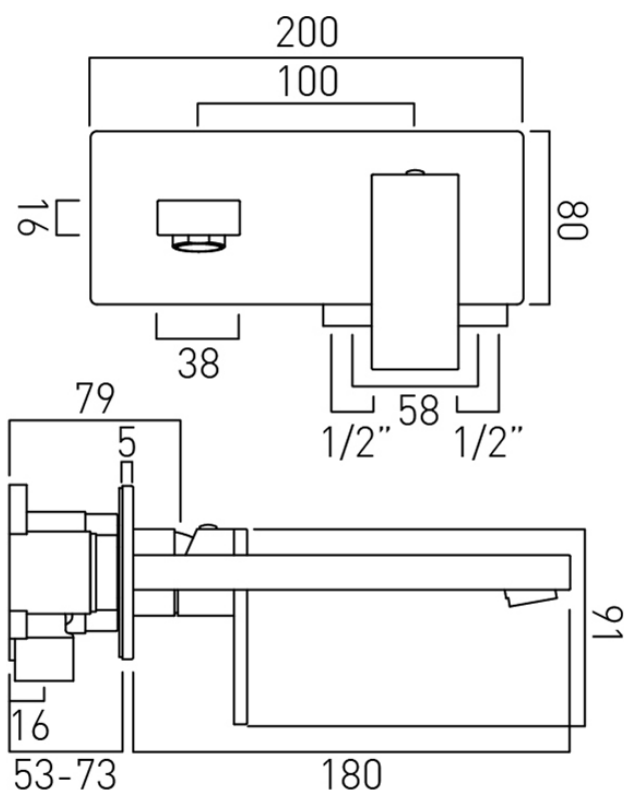
## PLUMBING SYSTEM SUITABILITY

Gravity System, Pumped System, Combination Boiler, Pressurised System

# TECHNICAL DRAWING

COLLECTION: NOTION

PRODUCT CODE: IND-NOT109FS/A-BRN



tel: 01934 744466  
email: sales@vado.com  
www.vado.com

WHERE INSPIRATION FLOWS  
TAPS | SHOWERS | ACCESSORIES

