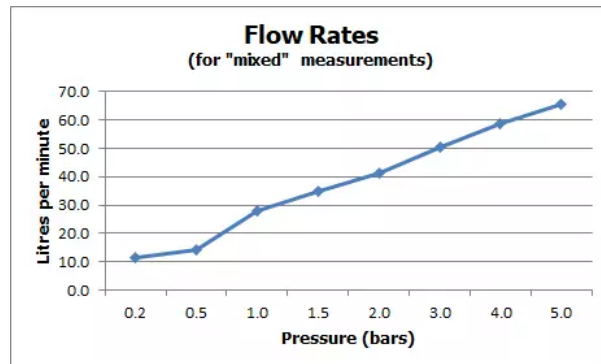


SPECIFICATION SHEET

COLLECTION: ELEMENTS

PRODUCT CODE: IND-ELW135/NH-BRG



TAP TYPE

Bath Filler

WITH WATER FLOW STRAIGHTENER

Yes

WITH SWIVEL SPOUT

with Fixed Spout

CONNECTIONS / FITTINGS

2 x 3/4" x 3/4" 600mm flexipipe connections 3/4" male inlet connections

SPARE PARTS

cold ceramic cartridge C-303-RTC hot ceramic cartridge C-303-LTC

DECK HOLE DRILL DIAMETER

Valve: 35mm Spout: 30mm

HOLES

3 Hole

MOUNTING

Deck Mounted

PLUMBING SYSTEM SUITABILITY

Pumped System, Combination Boiler, Pressurised System

tel: 01934 744466
email: sales@vado.com
www.vado.com

WHERE INSPIRATION FLOWS
TAPS | SHOWERS | ACCESSORIES



SPECIFICATION SHEET

COLLECTION: ELEMENTS
PRODUCT CODE: IND-ELW135/NH-BRG

COLLECTION NAME

Elements

FINISH

Brushed Gold

MAXIMUM OPERATING PRESSURE

5.0 Bar LP

MINIMUM OPERATING PRESSURE

1.0 Bar MP

GUARANTEE

15 Year Guarantee

tel: 01934 744466
email: sales@vado.com
www.vado.com

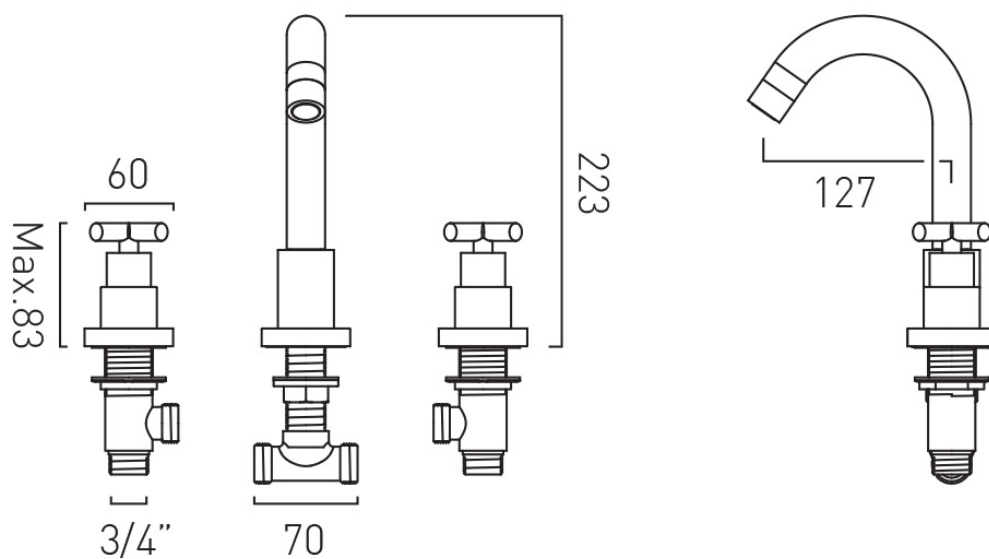
WHERE INSPIRATION FLOWS
TAPS | SHOWERS | ACCESSORIES



TECHNICAL DRAWING

COLLECTION: ELEMENTS

PRODUCT CODE: IND-ELW135/NH-BRG



tel: 01934 744466
email: sales@vado.com
www.vado.com

WHERE INSPIRATION FLOWS
TAPS | SHOWERS | ACCESSORIES

