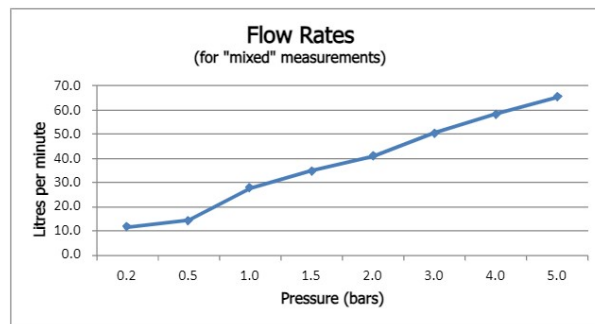


SPECIFICATION SHEET

COLLECTION: ELEMENTS

PRODUCT CODE: IND-ELW135/NH-BRZ



TAP TYPE

Basin Mixer

HANDLES

2 Handle

WITH WATER FLOW STRAIGHTENER

Yes

WITH SWIVEL SPOUT

with Fixed Spout

CONNECTIONS / FITTINGS

2 x 3/4" x 3/4" 600mm flexipipe connections, 3/4" male inlet connections

SPARE PARTS

cold ceramic cartridge C-303-RTC, hot ceramic cartridge C-303-LTC

DECK HOLE DRILL DIAMETER

30mm

STYLE

Round, Cross Handles

HOLES

3 Hole

tel: 01934 744466
email: sales@vado.com
www.vado.com

WHERE INSPIRATION FLOWS
TAPS | SHOWERS | ACCESSORIES



SPECIFICATION SHEET

COLLECTION: ELEMENTS

PRODUCT CODE: IND-ELW135/NH-BRZ

MOUNTING

Deck Mounted

PLUMBING SYSTEM SUITABILITY

Gravity System

COLLECTION NAME

Elements

FINISH

Brushed Bronze

MAXIMUM OPERATING PRESSURE

5.0 Bar LP

MINIMUM OPERATING PRESSURE

0.2 Bar LP

GUARANTEE

15 Year Guarantee

tel: 01934 744466
email: sales@vado.com
www.vado.com

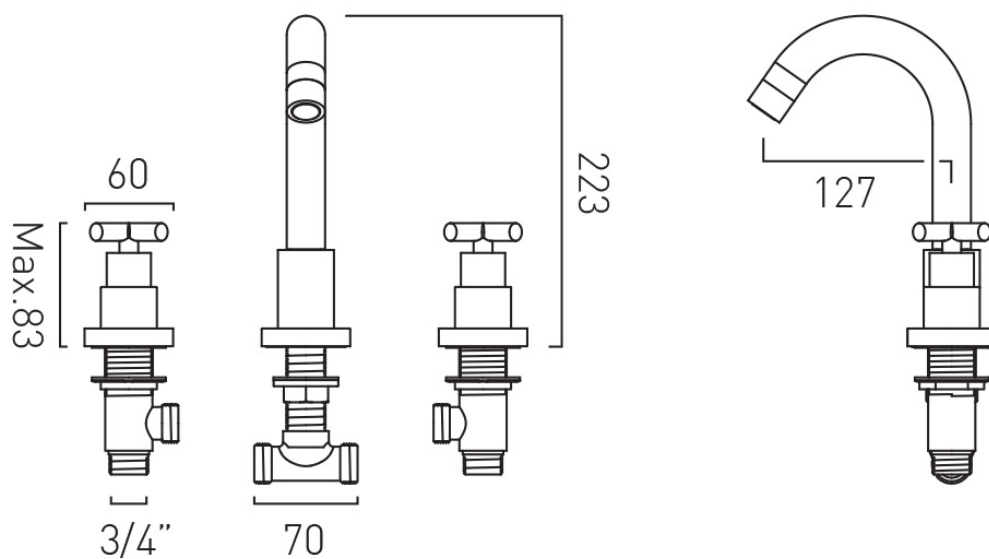
WHERE INSPIRATION FLOWS
TAPS | SHOWERS | ACCESSORIES



TECHNICAL DRAWING

COLLECTION: ELEMENTS

PRODUCT CODE: IND-ELW135/NH-BRZ



tel: 01934 744466
email: sales@vado.com
www.vado.com

WHERE INSPIRATION FLOWS
TAPS | SHOWERS | ACCESSORIES

