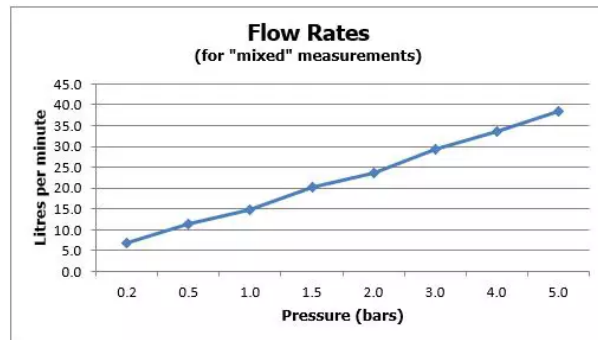


# SPECIFICATION SHEET

COLLECTION: ELEMENTS

PRODUCT CODE: IND-ELE148D/2-BRN



## SHOWER TYPE

Shower Valve

## VALVE TYPE

Concealed

## ORIENTATION

Vertical

## NUMBER OF OUTLETS

2 Outlet

## WITH ALL-FLOW FUNCTION

No

## WITH INTEGRATED DIVERTER

No

## COMPATIBLE WITH STUDFAST

Yes

## WITH BLEED VALVE FOR SYSTEM FLUSH ON INSTALLATION

Yes

## WITH SHOWER KIT

No

tel: 01934 744466  
email: sales@vado.com  
www.vado.com

WHERE INSPIRATION FLOWS  
TAPS | SHOWERS | ACCESSORIES



# SPECIFICATION SHEET

COLLECTION: ELEMENTS

PRODUCT CODE: IND-ELE148D/2-BRN

**INCLUDES MORTAR / TILE GUARD**

Yes

**COMPATIBLE WITH EASY-FIX BRACKETS**

No

**WITH THERMOSTATIC TECHNOLOGY**

Yes

**INSTALLATION TOLERANCES**

min-max wall mount 70-95mm optimum installation depth 82mm

**CONNECTIONS / FITTINGS**

2 x 3/4" female inlets 2 x 3/4" female outlets includes 3/4" - 1/2" adaptors

**SPARE PARTS**

thermostatic cartridge V-704-34S diverter cartridge C-803-33X/3X

**MOUNTING**

Wall Mounted

**PLUMBING SYSTEM SUITABILITY**

Gravity System, Pumped System, Combination Boiler, Pressurised System

**COLLECTION NAME**

Elements

**FINISH**

Brushed Nickel

**MINIMUM OPERATING PRESSURE**

0.2 Bar LP (Shower) / 1.0 Bar MP (Bath)

**MAXIMUM OPERATING PRESSURE**

5.0 Bar LP



# SPECIFICATION SHEET

COLLECTION: ELEMENTS

PRODUCT CODE: IND-ELE148D/2-BRN

## GUARANTEE

15 Year Guarantee

tel: 01934 744466  
email: [sales@vado.com](mailto:sales@vado.com)  
[www.vado.com](http://www.vado.com)

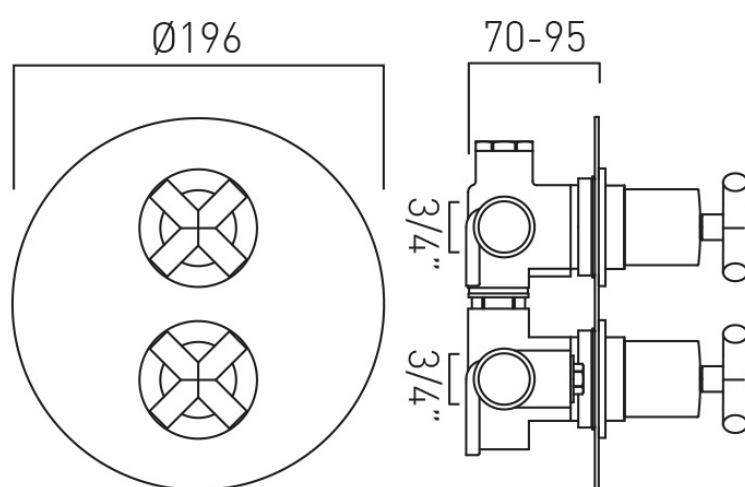
WHERE INSPIRATION FLOWS  
TAPS | SHOWERS | ACCESSORIES



# TECHNICAL DRAWING

COLLECTION: ELEMENTS

PRODUCT CODE: IND-ELE148D/2-BRN



tel: 01934 744466  
email: sales@vado.com  
www.vado.com

WHERE INSPIRATION FLOWS  
TAPS | SHOWERS | ACCESSORIES

