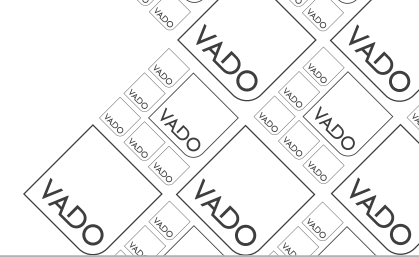




where inspiration flows

LIFE

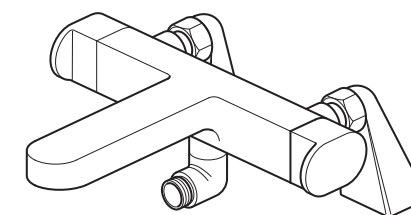
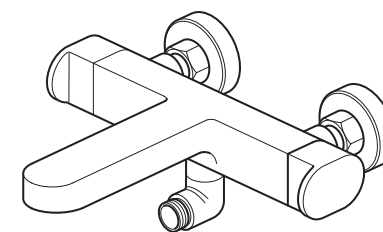


Installation Guide

Wall & Deck mounted exposed bath shower mixers

This instruction booklet covers these models:
LIF-123T-CP, LIF-131T-CP.

LIF-123T-CP
LIF-131T-CP



Vado
Wedmore Road, Cheddar, Somerset, England BS27 3EB
tel 01934 744466. fax 01934 744345
aftersales@vado.com
www.vado.com



Important - please read

Please read these instructions carefully before starting installation and keep for future reference.

Remove all packaging and check the product for missing parts or damage before starting installation.

Any alterations made to this product and fittings may infringe water regulations and will invalidate the guarantee.

The installation must comply with all Local/National Water Supply Authority Regulations/Byelaws and Building and Plumbing Regulations.
To be installed in accordance with BS EN806.

We strongly recommend that you use a qualified and registered plumber.

General installation

This fitting is a mixing device and therefore water supplies should be reasonably balanced.

When installed, the fitting must comply with the requirements of the Water Supply (Water Fittings) Regulations 1999 and Scottish Byelaws 2004.

For further information, contact the Water Regulations department of your local water supplier (see the WRAS website www.wras.co.uk for details) or the Water Regulations Advisory Scheme by email (info@wras.co.uk) or telephone: 01495848454.

Before making any inlet pipe connections, all supply pipes MUST be thoroughly flushed to remove debris. Failure to do so could result in damage or low flow from the mixer unit.

The fitting of isolating valves to the inlet feeds is advised for ease of maintenance.

Please take great care when installing this mixer not to damage its surface.

Please note if installing in an enclosed environment, access should be left for servicing and maintenance. No costs relating to inadequate access can be accepted.

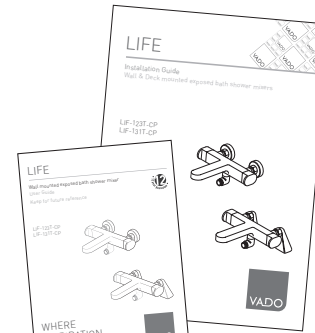
Operating Specifications

Operating Pressure

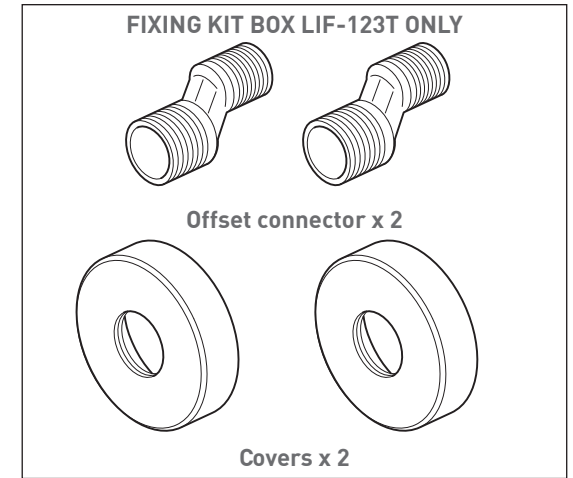
Minimum operating pressure 1 bar

Maximum operating pressure 5 bar

Contents of Packaging



Installation guide &
User manual



Offset connector x 2

Covers x 2

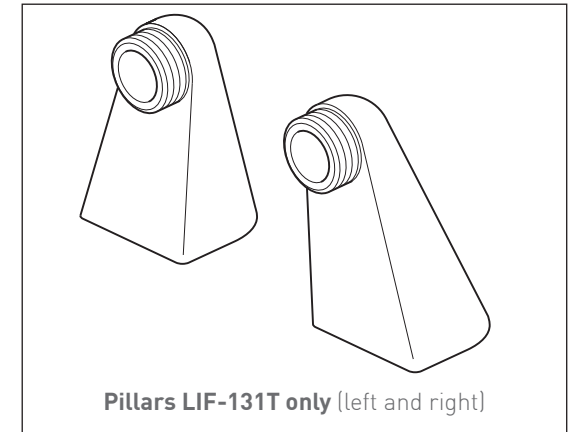


Outlet elbow

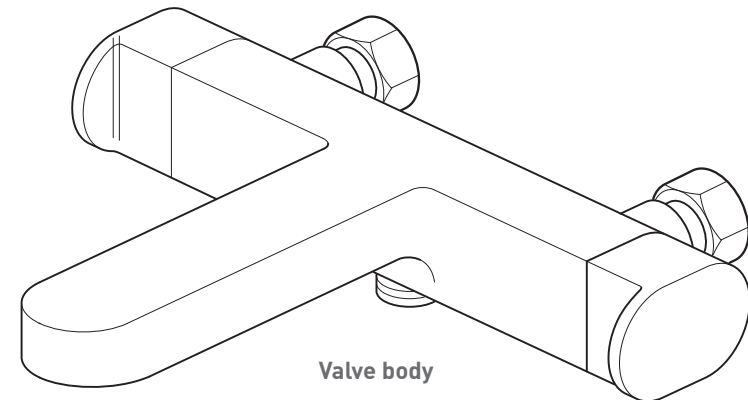


Filter/washer x 2

Hexagonal key

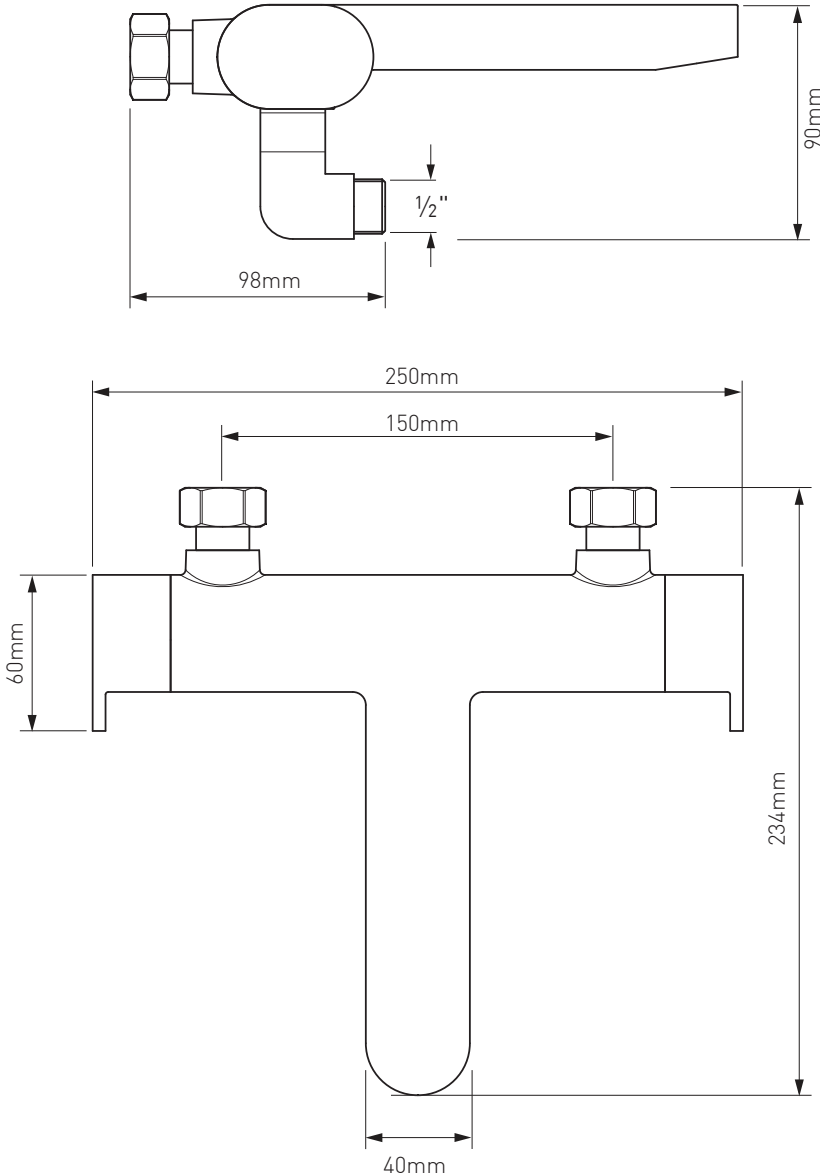


Pillars LIF-131T only (left and right)

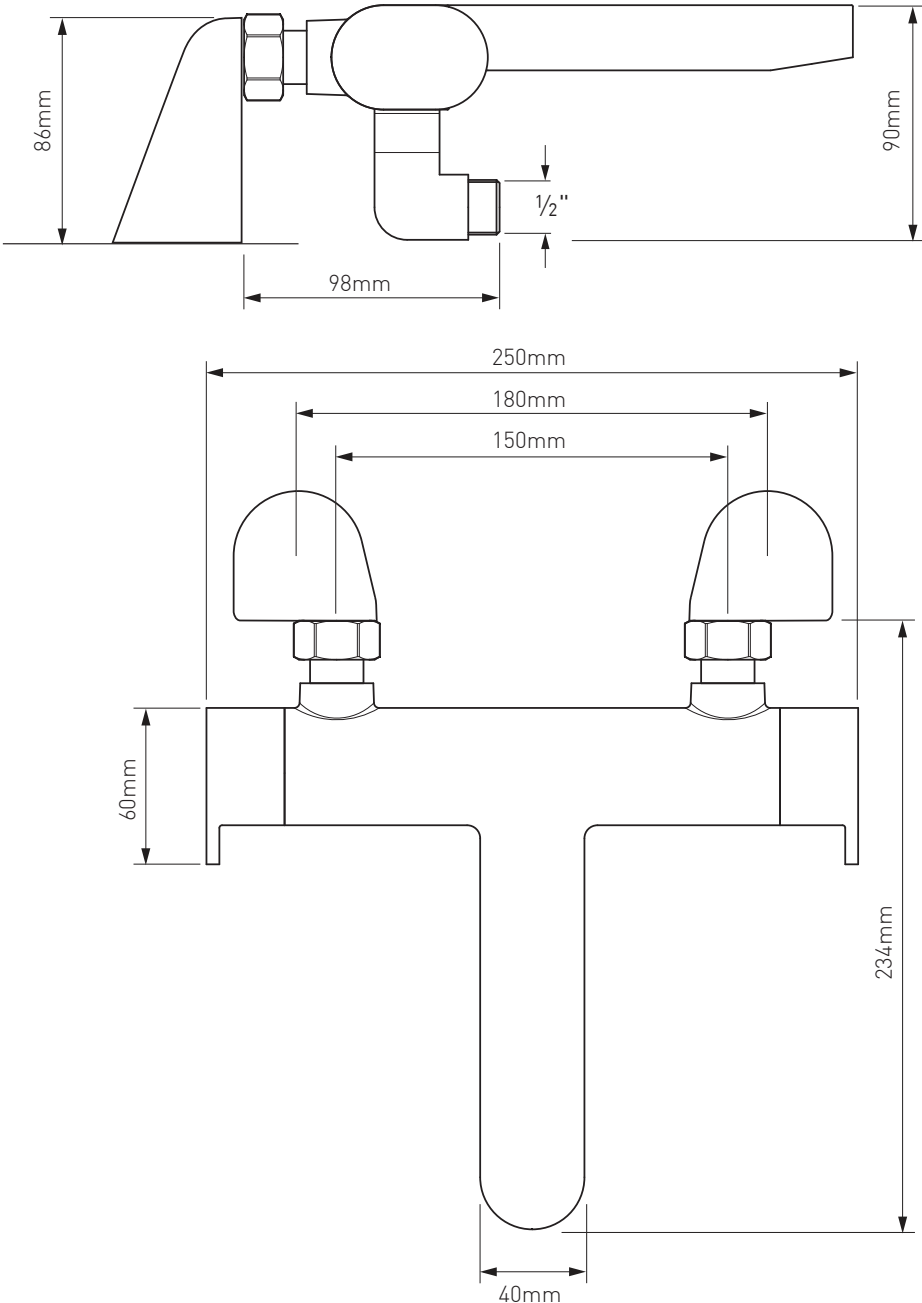


Valve body

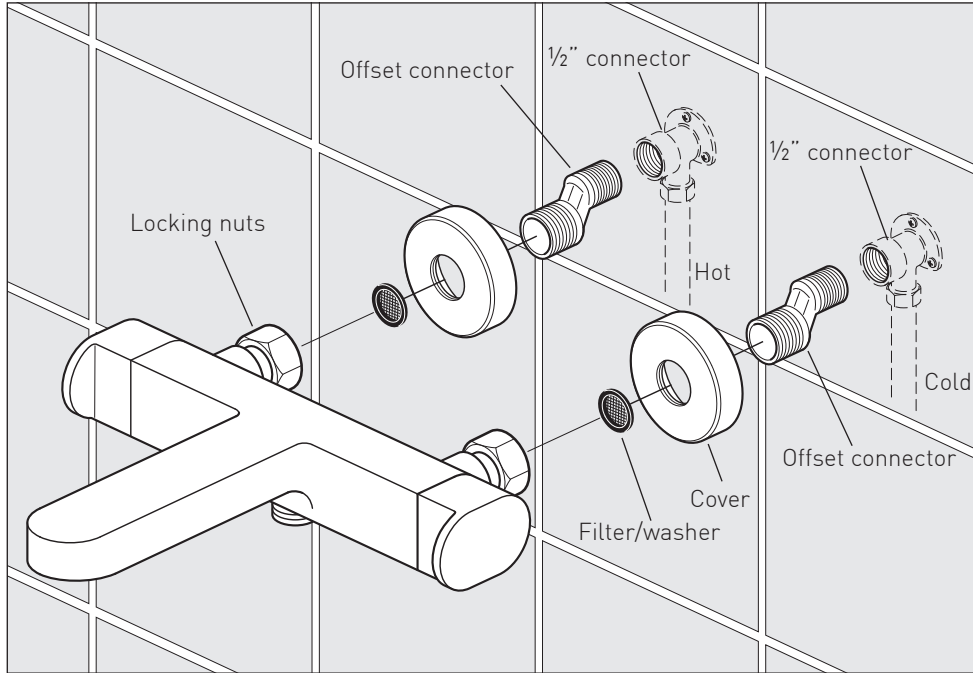
Dimensions - Wall mounted



Dimensions - Deck mounted



Installation - Wall mounted



Before installing your new mixer, flush through the pipe work to ensure removal of debris, turn off the water supply.

Prepare the wall with 2 flush 1/2" connectors at 150mm centres. Connect the water supply to the inlet pipes. The hot water should be connected to the left hand pipe.

Using PTFE tape screw on the 2 offset connectors followed by the covers.

Place a rubber filter/washer in each of the locking nuts on the valve and screw onto the connectors, some adjustment can be made to the offset connectors to align the centres and level up the valve.

Note: The valve must be connected to rigid pipe work for support as there are no back nuts or fixing holes.

Alternatively a WG-049 quick installation bracket can be used, please contact your retailer for details.

Installation - Deck mounted

Before installing your new mixer, flush through the pipe work to ensure removal of debris, turn off the water supply.

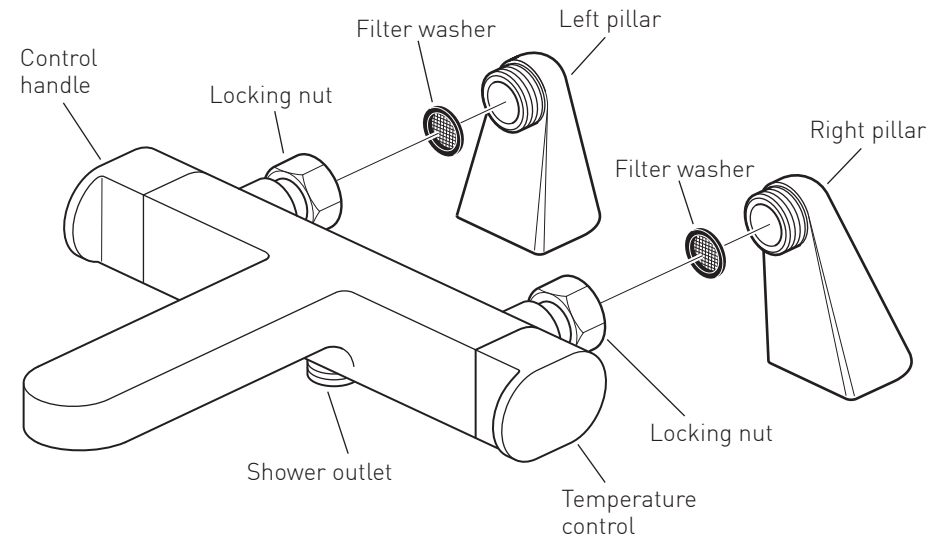
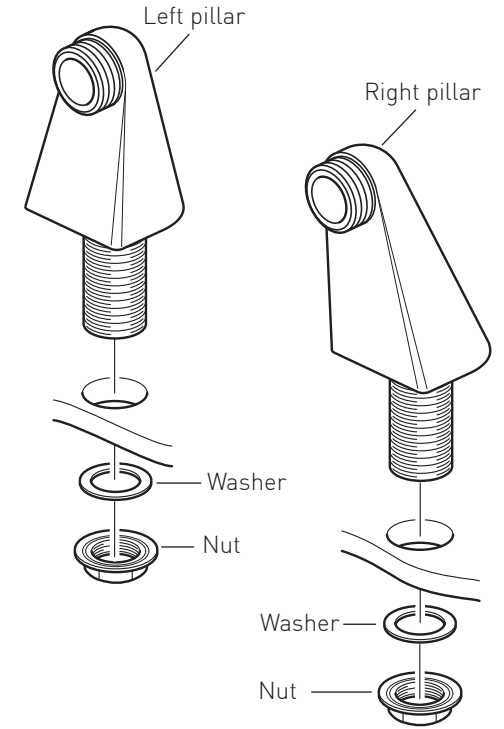
Identify the left and right pillars and position on the bath. From the underside of the bath fit the rubber washers and nuts. Temporarily hand tighten the nuts (see right).

Place a filter washer into the locking nut. Position the valve onto the pillars, screw on the locking nuts and tighten (see below).

From the underside, now tighten the nuts to clamp the mixer to the bath.

CAUTION: Do not over tighten the nuts as this may damage the bath.

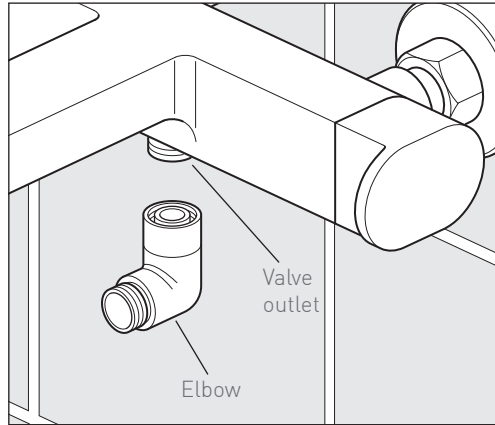
Connect the water supply to the inlet pipes. The hot water should be connected to the left hand pipe.



Installation

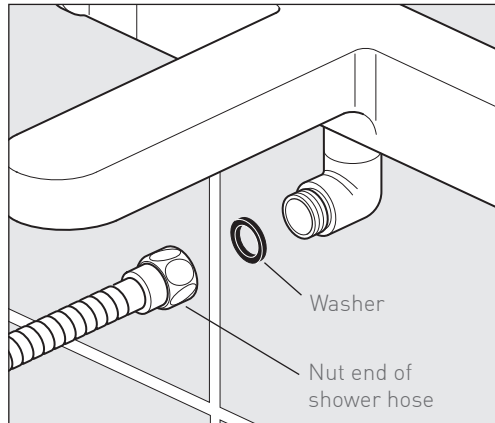
Wall mounted shown.

Screw the elbow onto the outlet of the valve, hand tighten only.



Shower hose

Place a rubber washer into the nut end of the hose and attach it to the valve outlet elbow.



Commissioning

The valve has been factory set under balance pressures and hot water supply at 65°C. When your specific operating conditions are significantly different from the above, the temperature of the water may vary from the setting.

When the difference is too great, you can adjust the calibration of the valve to suit individual requirements of the installation:

1. Check the temperature of the water being delivered from the outlet with a thermometer when 38°C is aligned with the stop mark **(see fig 1)**

Note: temperature readings should be taken at normal flow rate after allowing for the system to stabilise.

2. If the temperature is not 38°C proceed to commissioning as follows.

Remove the handle. Pull off the screw cap on the underside of the temperature handle. Using the supplied hexagonal key release the grub screw within the handle. Pull out the handle.

Ensure the step on the stop ring is the correct position **(see fig 2)** below.

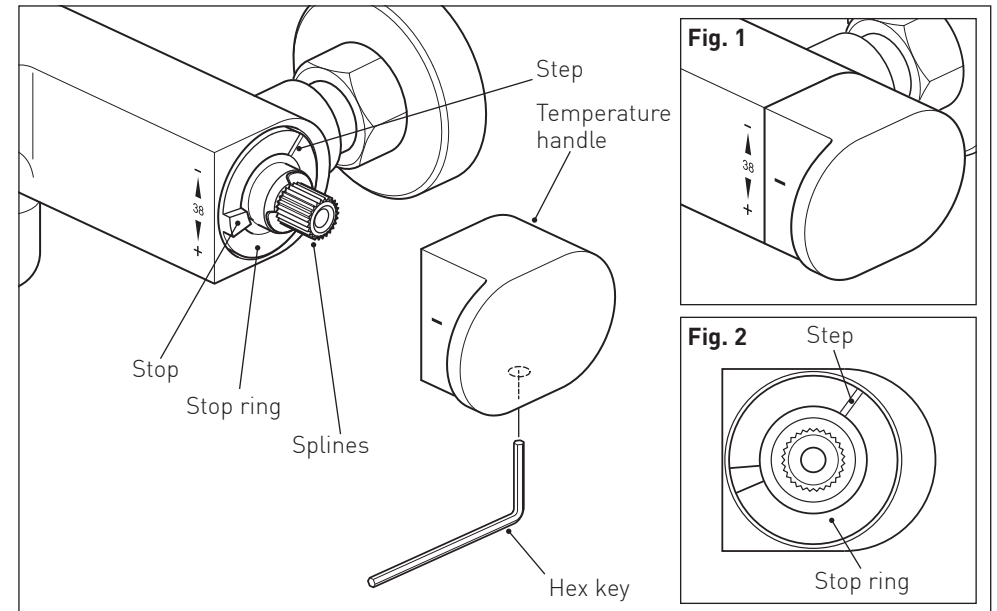
Do not remove the plastic stop ring. Turn the spline of the thermostatic valve clockwise to decrease the temperature and anti-clockwise to increase the temperature until 38°C is achieved at outlet.

Note: the sensing part of the thermometer probe must be fully submerged in the water that is to be tested.

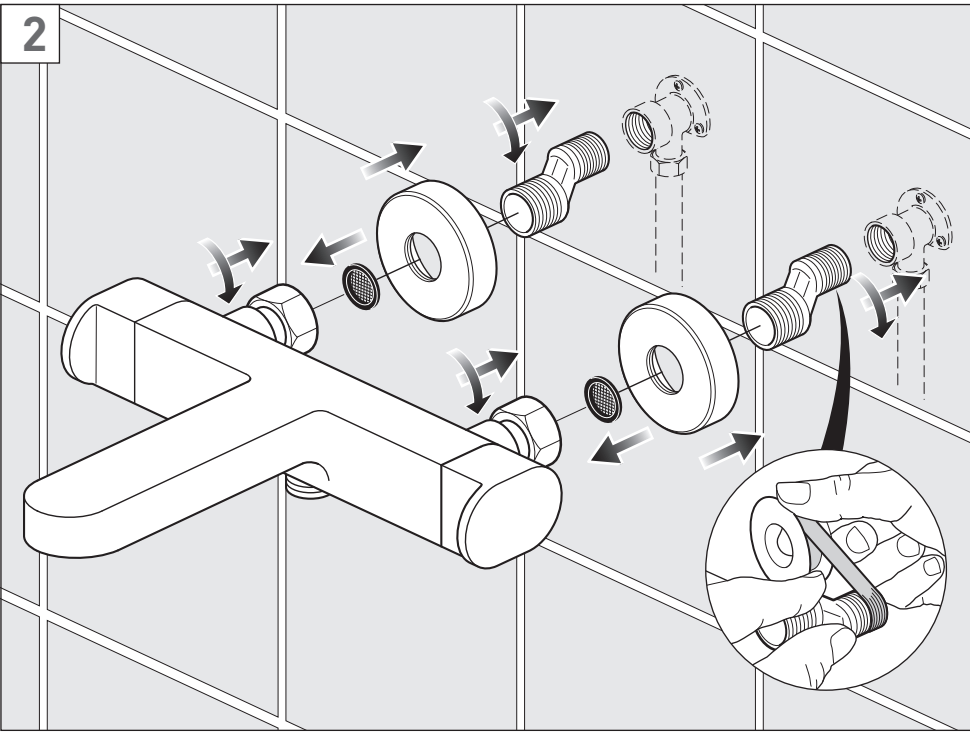
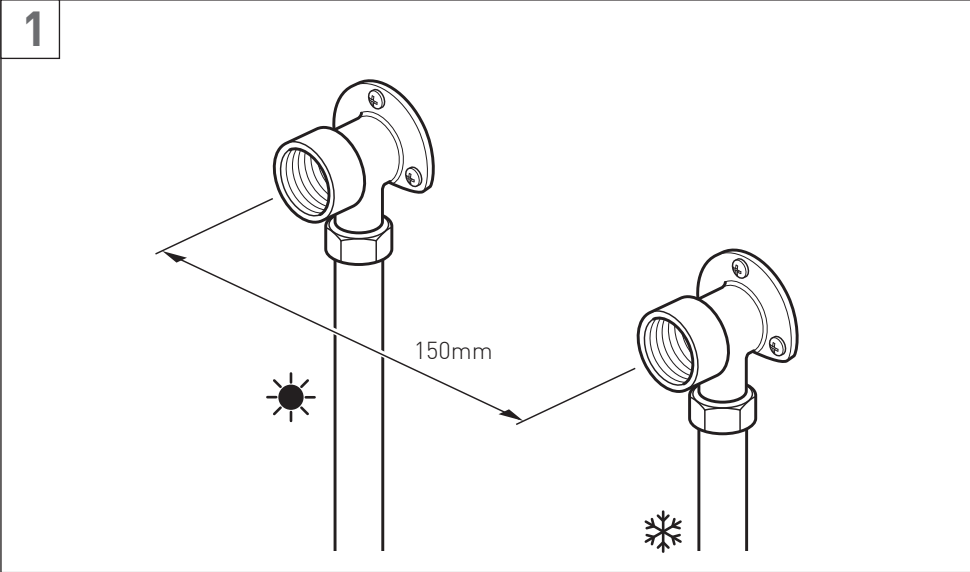
Replace the handle making sure that the ball in the handle is against the step.

Once the handle has been attached ensure the temperature does not exceed 46°C when turned entirely anti-clockwise.

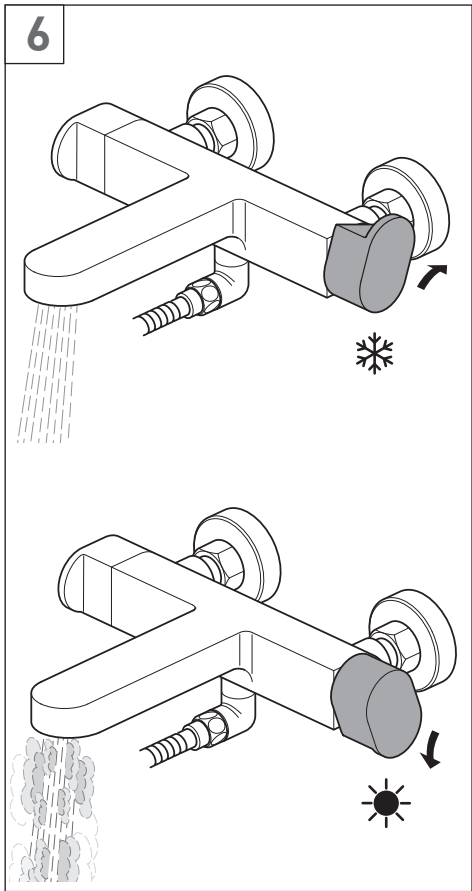
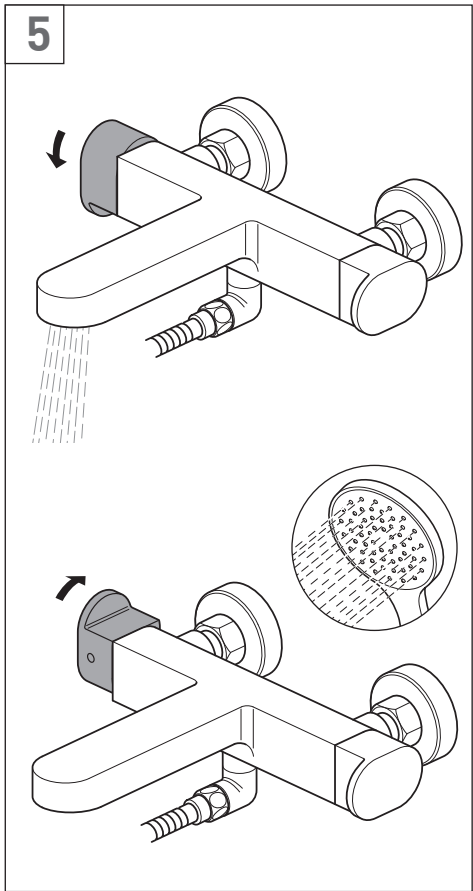
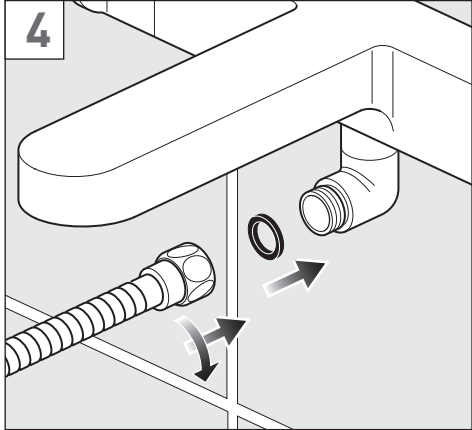
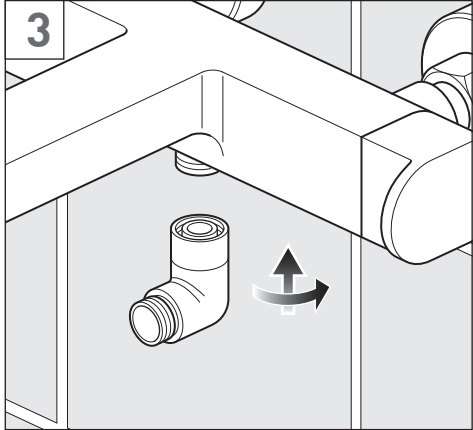
Your valve setting is now commissioned.



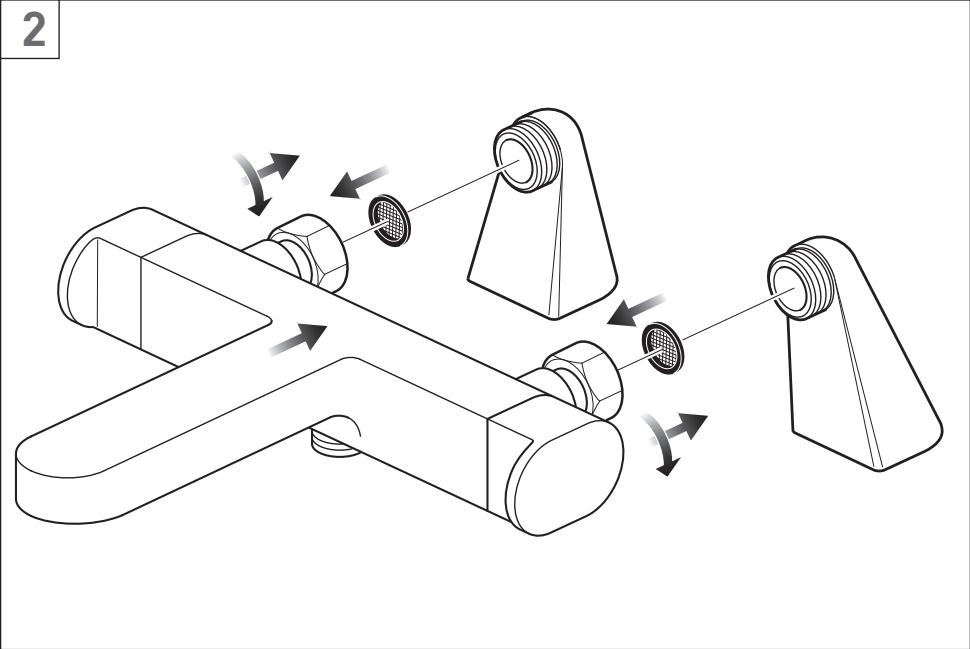
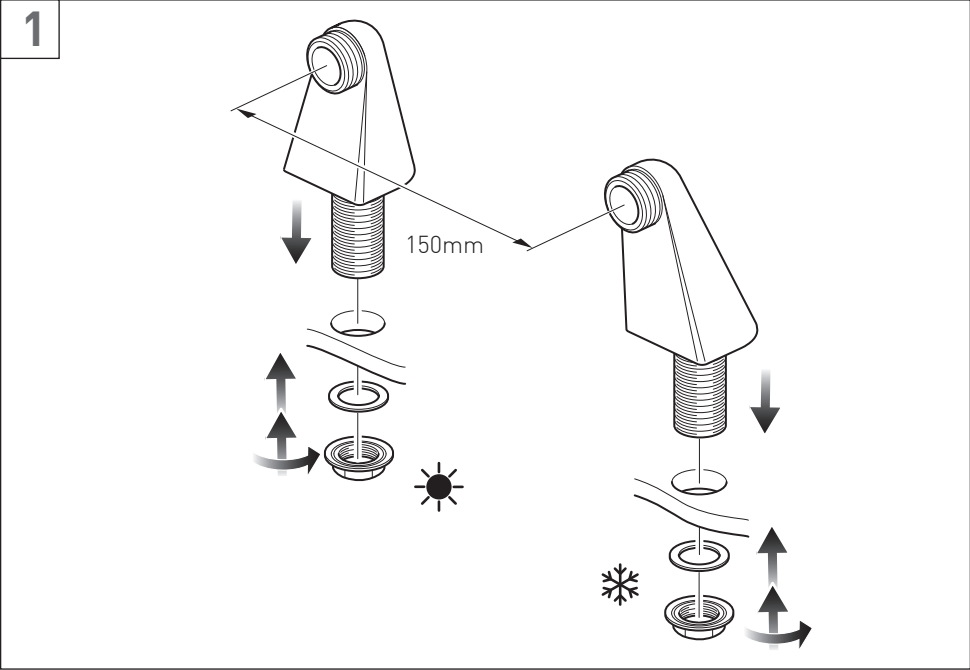
Installation - Quick guide wall mounted valve



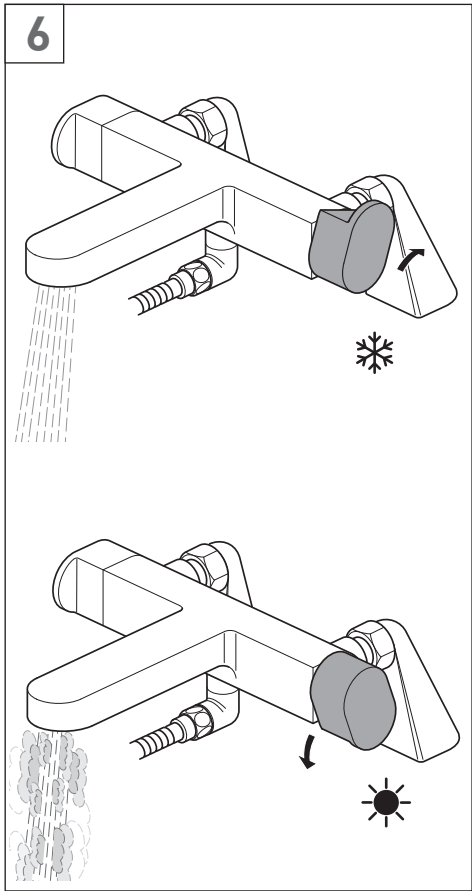
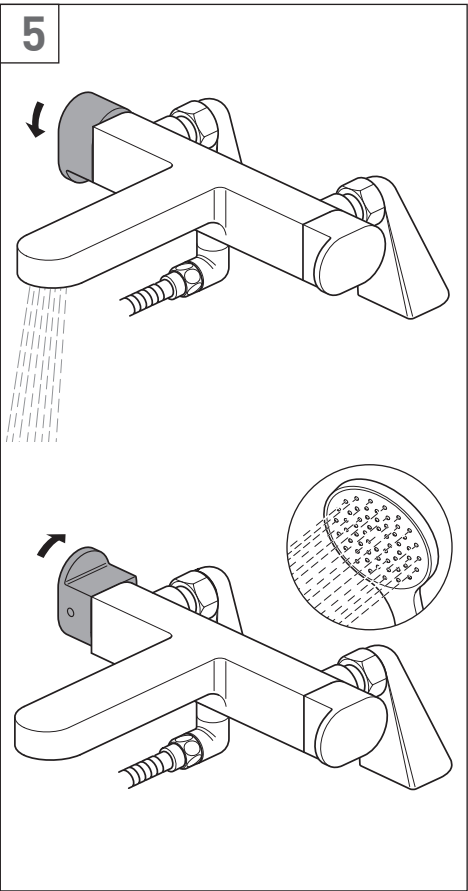
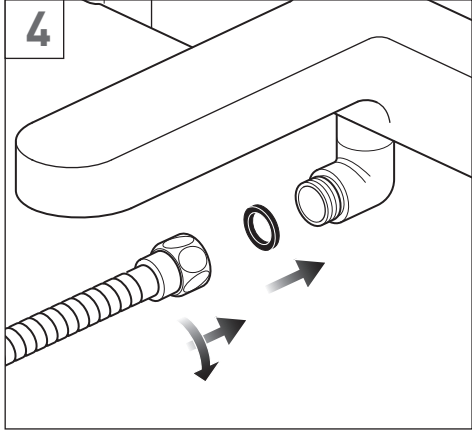
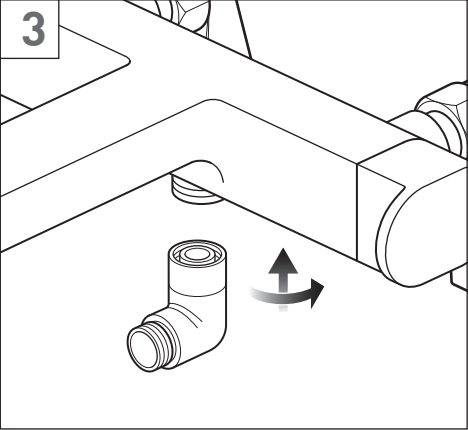
Installation - Quick guide wall mounted valve



Installation - Quick guide deck mounted valve



Installation - Quick guide deck mounted valve



Notes:

Notes: