

SPECIFICATION SHEET

COLLECTION: ORIGINS
PRODUCT CODE: ORI-147A-C/P



SHOWER TYPE

Shower Valve

VALVE TYPE

Concealed

NUMBER OF OUTLETS

1 Outlet

HANDLES

Single Lever

WITH ALL-FLOW FUNCTION

No

WITH INTEGRATED DIVERTER

Yes

COMPATIBLE WITH STUDFAST

No

WITH BLEED VALVE FOR SYSTEM FLUSH ON INSTALLATION

No

WITH SHOWER KIT

No

tel: 01934 744466
email: sales@vado.com
www.vado.com

WHERE INSPIRATION FLOWS
TAPS | SHOWERS | ACCESSORIES



SPECIFICATION SHEET

COLLECTION: ORIGINS
PRODUCT CODE: ORI-147A-C/P

INCLUDES MORTAR / TILE GUARD

No

COMPATIBLE WITH EASY-FIX BRACKETS

No

WITH THERMOSTATIC TECHNOLOGY

No

INSTALLATION TOLERANCES

min-max wall mount 50-70mm

CONNECTIONS / FITTINGS

2 x 1/2" female inlets 2 x 1/2" female outlets

SPARE PARTS

ceramic cartridge CAR-K35A

MOUNTING

Wall Mounted

PLUMBING SYSTEM SUITABILITY

Gravity System, Pumped System, Combination Boiler, Pressurised System

COLLECTION NAME

Origins

FINISH

Chrome

MINIMUM OPERATING PRESSURE

1.5 Bar MP

MAXIMUM OPERATING PRESSURE

5.0 Bar LP



SPECIFICATION SHEET

COLLECTION: ORIGINS
PRODUCT CODE: ORI-147A-C/P

GUARANTEE
15 Year Guarantee

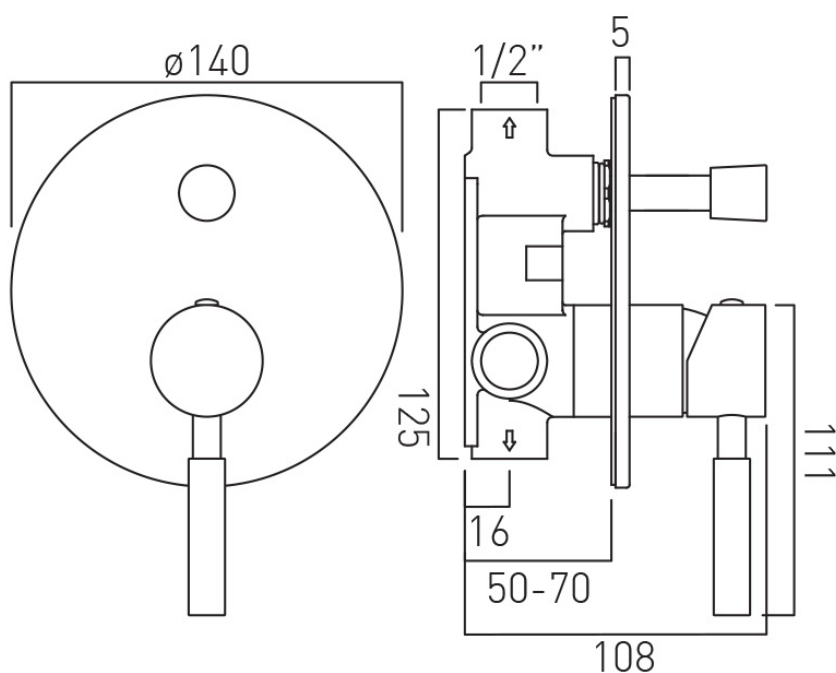
tel: 01934 744466
email: sales@vado.com
www.vado.com

WHERE INSPIRATION FLOWS
TAPS | SHOWERS | ACCESSORIES



TECHNICAL DRAWING

COLLECTION: ORIGINS
PRODUCT CODE: ORI-147A-C/P



tel: 01934 744466
email: sales@vado.com
www.vado.com

WHERE INSPIRATION FLOWS
TAPS | SHOWERS | ACCESSORIES

