

# SPECIFICATION SHEET

COLLECTION: EDIT

PRODUCT CODE: EDI-100/CC-C/P



## TAP TYPE

Basin Mixer

## COLLECTION NAME

Edit

## FINISH

Chrome

## RECOMMENDED FLOW REGULATOR

5 l/m flow regulator fitted as standard

## MINIMUM OPERATING PRESSURE

1.0 Bar MP

## MAXIMUM OPERATING PRESSURE

5.0 Bar LP

## GUARANTEE

15 Year Guarantee

## HANDLES

Single Lever

## WITH ECOTURN COLD START TECHNOLOGY

No

tel: 01934 744466  
email: sales@vado.com  
www.vado.com

WHERE INSPIRATION FLOWS  
TAPS | SHOWERS | ACCESSORIES



# SPECIFICATION SHEET

COLLECTION: EDIT

PRODUCT CODE: EDI-100/CC-C/P

WITH WATER FLOW STRAIGHTENER

No

WITH WATER FLOW AERATOR

No

CONNECTIONS / FITTINGS

2 x 1/2" 400mm flexipipe connection

SPARE PARTS

ceramic cartridge C-010-N25

DECK HOLE DRILL DIAMETER

35mm

WASTE

with Universal Basin Waste

MOUNTING

Deck Mounted

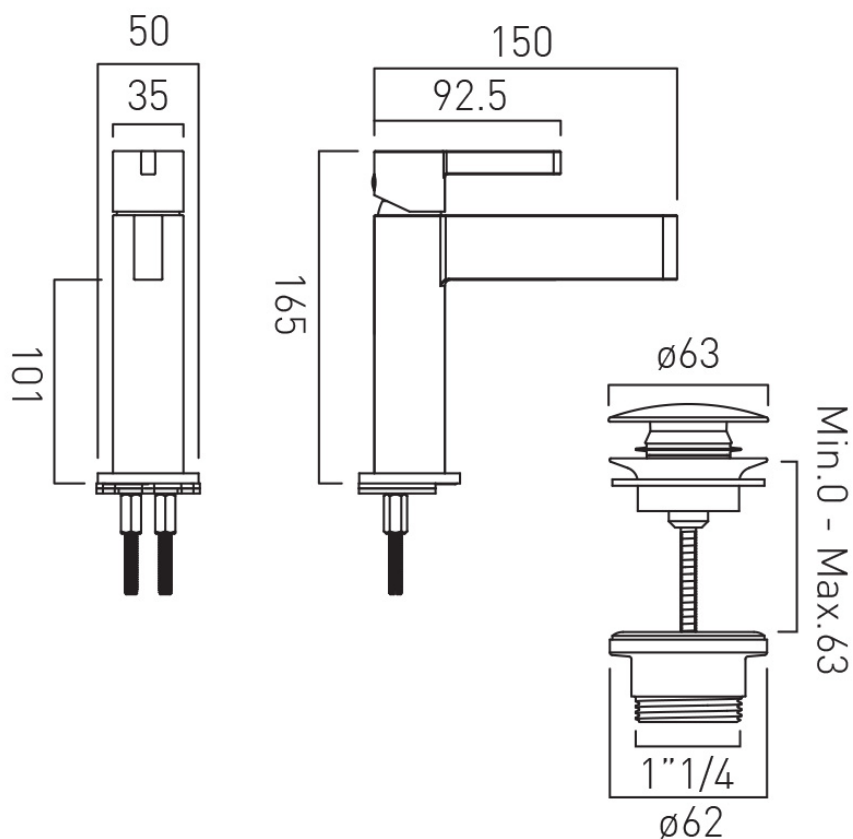
PLUMBING SYSTEM SUITABILITY

Pumped System, Combination Boiler, Pressurised System

# TECHNICAL DRAWING

COLLECTION: EDIT

PRODUCT CODE: EDI-100/CC-C/P



tel: 01934 744466  
email: sales@vado.com  
www.vado.com

WHERE INSPIRATION FLOWS  
TAPS | SHOWERS | ACCESSORIES

