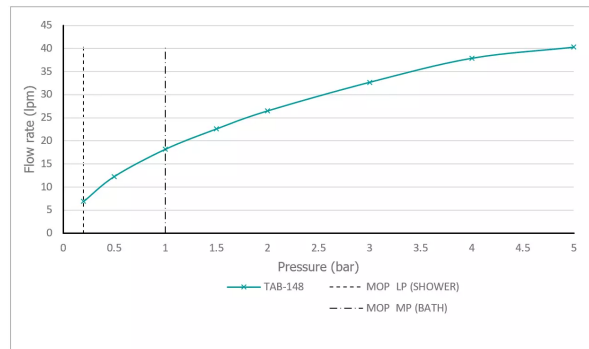


# SPECIFICATION SHEET

COLLECTION: TABLET ALTITUDE  
PRODUCT CODE: IND-T148-ALT-BRG



## SHOWER TYPE

Shower Valve

## VALVE TYPE

Concealed

## ORIENTATION

Vertical

## NUMBER OF OUTLETS

1 Outlet

## WITH ALL-FLOW FUNCTION

No

## WITH INTEGRATED DIVERTER

No

## COMPATIBLE WITH STUDFAST

Yes

## WITH BLEED VALVE FOR SYSTEM FLUSH ON INSTALLATION

No

## WITH SHOWER KIT

No

tel: 01934 744466  
email: sales@vado.com  
www.vado.com

WHERE INSPIRATION FLOWS  
TAPS | SHOWERS | ACCESSORIES



# SPECIFICATION SHEET

COLLECTION: TABLET ALTITUDE  
PRODUCT CODE: IND-T148-ALT-BRG

## INCLUDES MORTAR / TILE GUARD

Yes

## COMPATIBLE WITH EASY-FIX BRACKETS

No

## WITH THERMOSTATIC TECHNOLOGY

Yes

## INSTALLATION TOLERANCES

min-max wall mount 75-100mm optimum installation depth 87mm

## CONNECTIONS / FITTINGS

2 x 3/4" female inlets 1 x 3/4" female outlet

## SPARE PARTS

thermostatic cartridge V-704-34S flow cartridge FL-301-RTC

## MOUNTING

Wall Mounted

## PLUMBING SYSTEM SUITABILITY

Gravity System, Pumped System, Combination Boiler, Pressurised System

## COLLECTION NAME

Tablet Altitude

## FINISH

Brushed Gold

## MINIMUM OPERATING PRESSURE

0.2 Bar LP (Shower) / 1.0 Bar MP (Bath)

## MAXIMUM OPERATING PRESSURE

5.0 Bar LP

tel: 01934 744466  
email: sales@vado.com  
www.vado.com

WHERE INSPIRATION FLOWS  
TAPS | SHOWERS | ACCESSORIES



# SPECIFICATION SHEET

COLLECTION: TABLET ALTITUDE  
PRODUCT CODE: IND-T148-ALT-BRG

GUARANTEE  
15 Year Guarantee

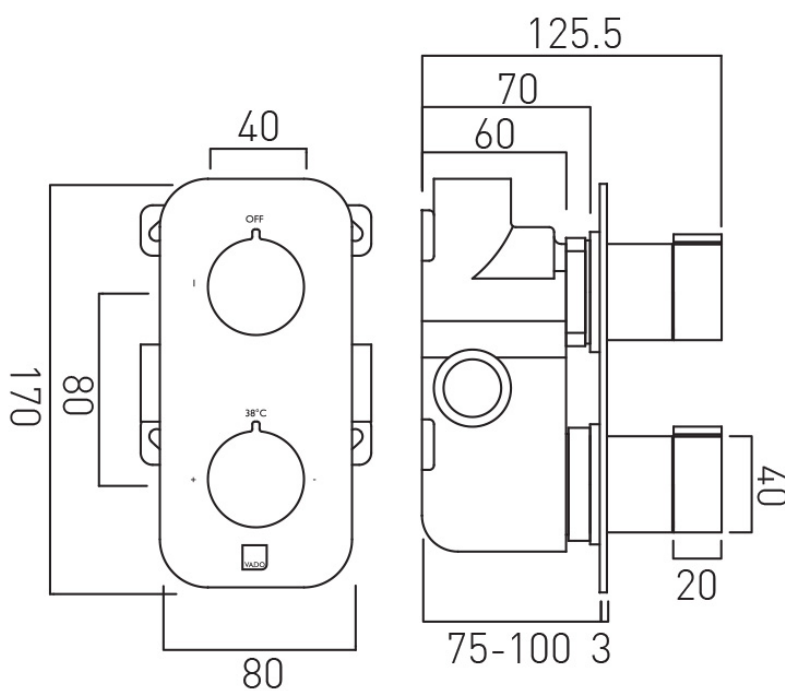
tel: 01934 744466  
email: [sales@vado.com](mailto:sales@vado.com)  
[www.vado.com](http://www.vado.com)

WHERE INSPIRATION FLOWS  
TAPS | SHOWERS | ACCESSORIES



# TECHNICAL DRAWING

COLLECTION: TABLET ALTITUDE  
PRODUCT CODE: IND-T148-ALT-BRG



tel: 01934 744466  
email: sales@vado.com  
www.vado.com

WHERE INSPIRATION FLOWS  
TAPS | SHOWERS | ACCESSORIES

