

SPECIFICATION SHEET

COLLECTION: OMIKA NOIR
PRODUCT CODE: IND-OMI109-PB



TAP TYPE

Basin Mixer

COLLECTION NAME

Omika Noir

FINISH

Polished Black

RECOMMENDED FLOW REGULATOR

4 l/m flow regulator fitted as standard

MINIMUM OPERATING PRESSURE

1.0 Bar MP

MAXIMUM OPERATING PRESSURE

5.0 Bar HP

GUARANTEE

15 Year Guarantee

WITH ECOTURN COLD START TECHNOLOGY

No

NOTES

1/4 turn ceramic disc valves

tel: 01934 744466
email: sales@vado.com
www.vado.com

WHERE INSPIRATION FLOWS
TAPS | SHOWERS | ACCESSORIES



SPECIFICATION SHEET

COLLECTION: OMIKA NOIR
PRODUCT CODE: IND-OMI109-PB

WITH WATER FLOW STRAIGHTENER

No

WITH WATER FLOW AERATOR

Yes

CONNECTIONS / FITTINGS

2 x 1/2" female inlets

SPARE PARTS

2 x FL-201-LTC

HOLES

2 Hole

MOUNTING

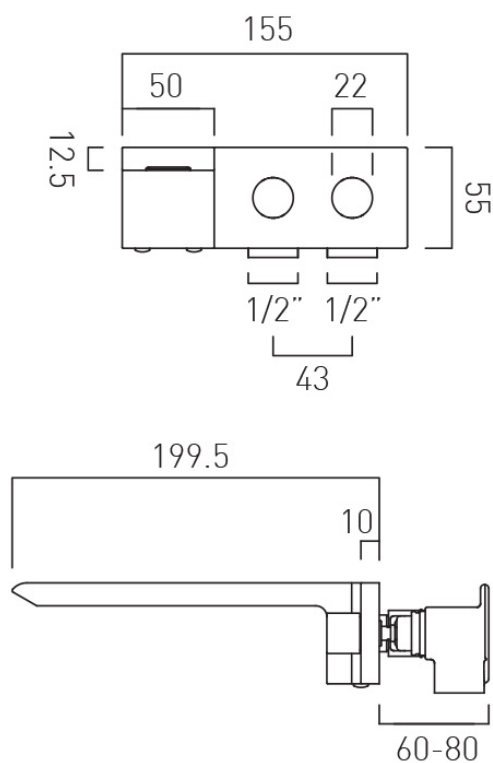
Wall Mounted

PLUMBING SYSTEM SUITABILITY

Pumped System, Combination Boiler, Pressurised System

TECHNICAL DRAWING

COLLECTION: OMIKA NOIR
PRODUCT CODE: IND-OMI109-PB



tel: 01934 744466
email: sales@vado.com
www.vado.com

WHERE INSPIRATION FLOWS
TAPS | SHOWERS | ACCESSORIES

