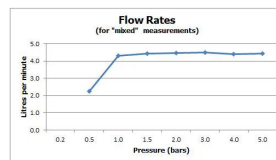
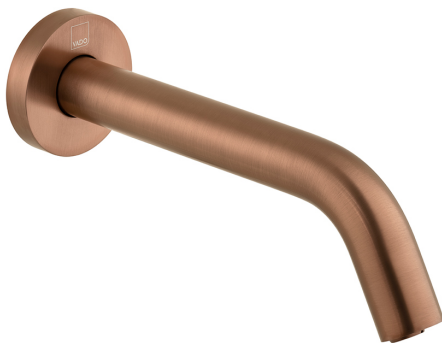


# SPECIFICATION SHEET

COLLECTION: I-TECH

PRODUCT CODE: IND-IRWSPOUT-BRZ



The flow rate displayed is calculated using ideal system conditions. This result should only be taken as an indication as the flow rate may vary depending on the specific in-situ configuration.

## TAP TYPE

Basin Mixer

## PLUMBING SYSTEM SUITABILITY

Combination Boiler

## MOUNTING

Wall Mounted

## HOLES

1 Hole

## STYLE

Round

## WITH WATER FLOW AERATOR

No

## NOTES

mains or battery operated  
takes standard AA batteries

## COLLECTION NAME

I-Tech

## FINISH

Brushed Bronze

tel: 01934 744466  
email: sales@vado.com  
www.vado.com

WHERE INSPIRATION FLOWS  
TAPS | SHOWERS | ACCESSORIES



# SPECIFICATION SHEET

COLLECTION: I-TECH

PRODUCT CODE: IND-IRWSPOUT-BRZ

**RECOMMENDED FLOW REGULATOR**

4 l/m flow regulator fitted as standard

**MINIMUM OPERATING PRESSURE**

1.0 Bar MP

**MAXIMUM OPERATING PRESSURE**

5.0 Bar HP

**GUARANTEE**

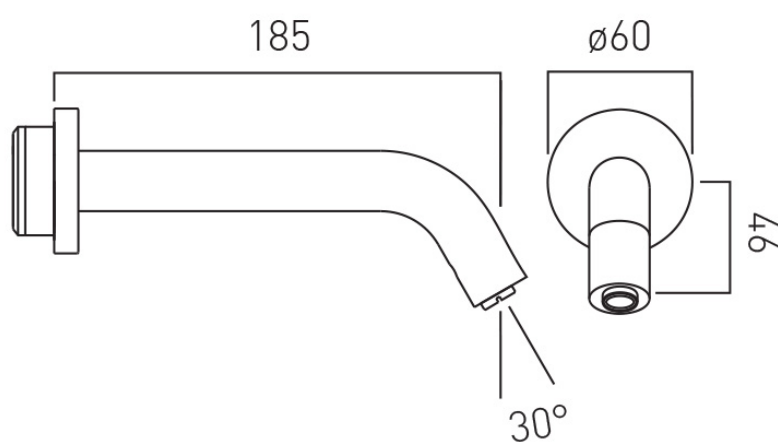
15 Year Guarantee



# TECHNICAL DRAWING

COLLECTION: I-TECH

PRODUCT CODE: IND-IRWSPOUT-BRZ



tel: 01934 744466  
email: sales@vado.com  
www.vado.com

WHERE INSPIRATION FLOWS  
TAPS | SHOWERS | ACCESSORIES

