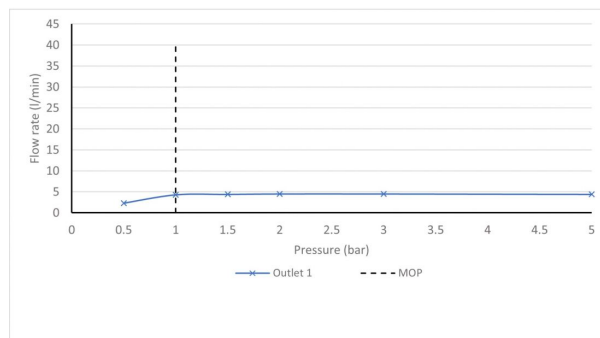
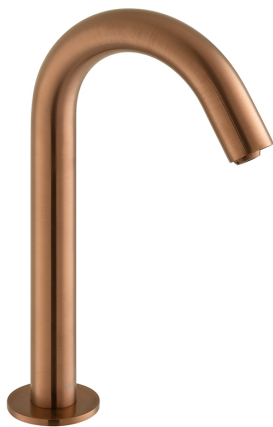


SPECIFICATION SHEET

COLLECTION: I-TECH

PRODUCT CODE: IND-IRDSPOUT-BRZ



The flow rate displayed is calculated using ideal system conditions. This result should only be taken as an indication as the flow rate may vary depending on the specific in-situ configuration.

TAP TYPE

Basin Mixer

PLUMBING SYSTEM SUITABILITY

Gravity System, Combination Boiler

MOUNTING

Deck Mounted

STYLE

Round

WITH WATER FLOW AERATOR

No

NOTES

mains or battery operated
takes standard AA batteries

COLLECTION NAME

I-Tech

FINISH

Brushed Bronze

MINIMUM OPERATING PRESSURE

1.0 Bar MP

tel: 01934 744466
email: sales@vado.com
www.vado.com

WHERE INSPIRATION FLOWS
TAPS | SHOWERS | ACCESSORIES



SPECIFICATION SHEET

COLLECTION: I-TECH

PRODUCT CODE: IND-IRDSPOUT-BRZ

MAXIMUM OPERATING PRESSURE

5.0 Bar HP

GUARANTEE

15 Year Guarantee

tel: 01934 744466
email: sales@vado.com
www.vado.com

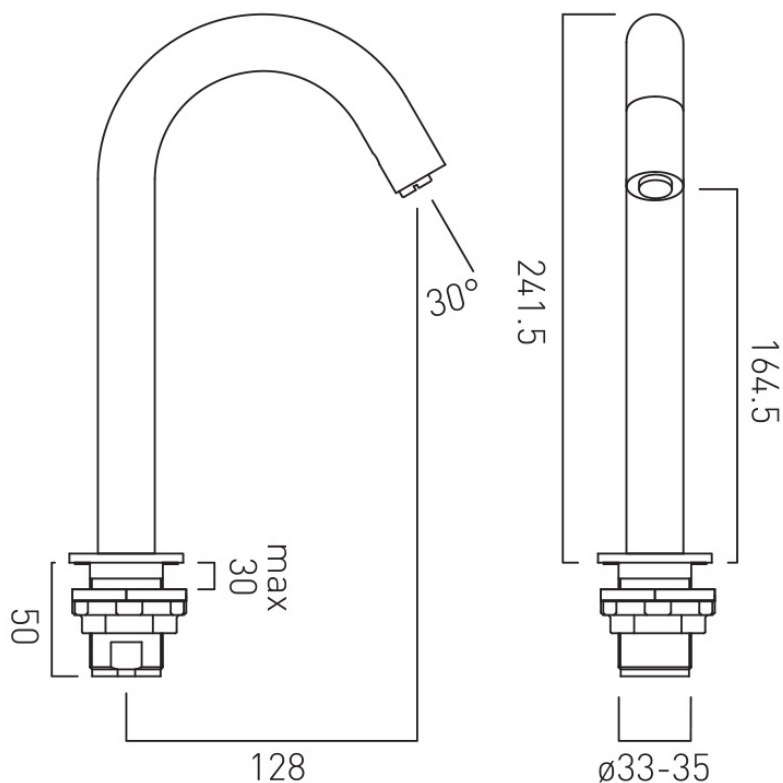
WHERE INSPIRATION FLOWS
TAPS | SHOWERS | ACCESSORIES



TECHNICAL DRAWING

COLLECTION: I-TECH

PRODUCT CODE: IND-IRDSPOUT-BRZ



tel: 01934 744466
email: sales@vado.com
www.vado.com

WHERE INSPIRATION FLOWS
TAPS | SHOWERS | ACCESSORIES

