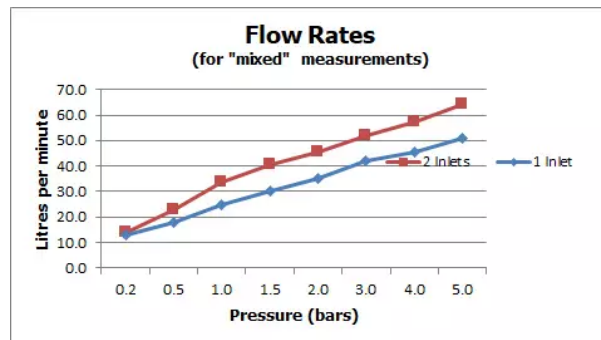


# SPECIFICATION SHEET

COLLECTION: WASTES & FITTINGS  
PRODUCT CODE: IND-81389/RO-BLK



The flow rate displayed is calculated using ideal system conditions. This result should only be taken as an indication as the flow rate may vary depending on the specific in-situ configuration.

## TAP TYPE

Bath Filler

## WITH WATER FLOW STRAIGHTENER

No

## INSTALLATION TOLERANCES

min-max overflow bath thickness 1mm-18mm

## CONNECTIONS / FITTINGS

2 x 1/2" inlets (one is blanked off) 1.1/2" x 10mm threaded outlet connection

## PLUMBING SYSTEM SUITABILITY

Pumped System, Combination Boiler, Pressurised System

## COLLECTION NAME

Wastes & Fittings

## FINISH

Brushed Black

## MAXIMUM OPERATING PRESSURE

5.0 Bar HP

## MINIMUM OPERATING PRESSURE

1.0 Bar MP

tel: 01934 744466  
email: sales@vado.com  
www.vado.com

WHERE INSPIRATION FLOWS  
TAPS | SHOWERS | ACCESSORIES



# SPECIFICATION SHEET

COLLECTION: WASTES & FITTINGS  
PRODUCT CODE: IND-81389/RO-BLK

## GUARANTEE

15 Year Guarantee

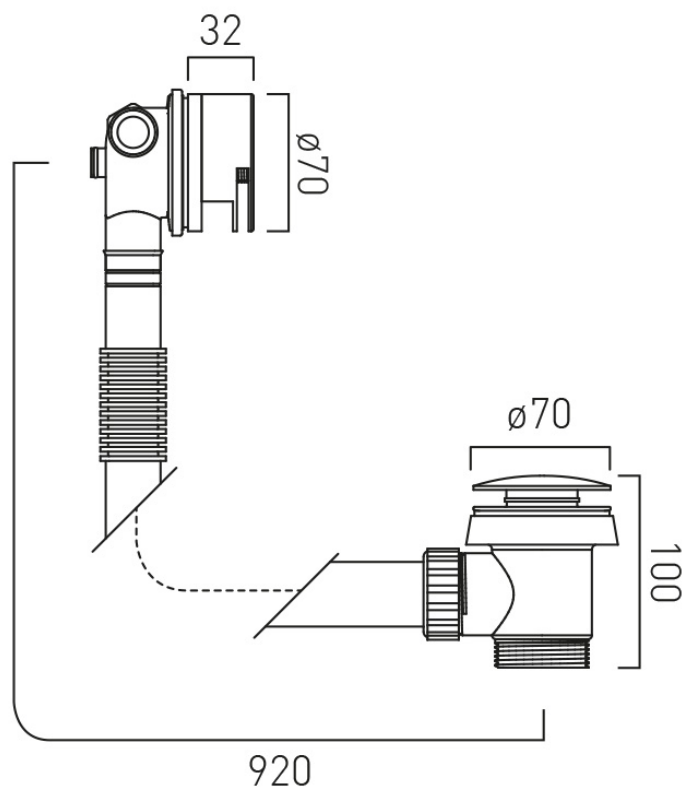
tel: 01934 744466  
email: [sales@vado.com](mailto:sales@vado.com)  
[www.vado.com](http://www.vado.com)

WHERE INSPIRATION FLOWS  
TAPS | SHOWERS | ACCESSORIES



# TECHNICAL DRAWING

COLLECTION: WASTES & FITTINGS  
PRODUCT CODE: IND-81389/RO-BLK



tel: 01934 744466  
email: sales@vado.com  
www.vado.com

WHERE INSPIRATION FLOWS  
TAPS | SHOWERS | ACCESSORIES

