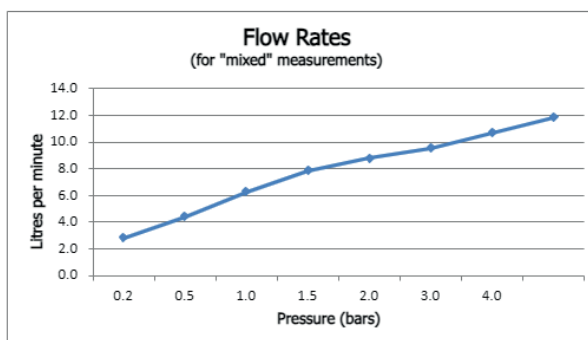


# SPECIFICATION SHEET

COLLECTION: NEBULA  
PRODUCT CODE: IND-RO/20-BG



The flow rate displayed is calculated using ideal system conditions. This result should only be taken as an indication as the flow rate may vary depending on the specific in-situ configuration.

## PLUMBING SYSTEM SUITABILITY

Gravity System, Combination Boiler

## STYLE

Round

## CONNECTIONS / FITTINGS

1/2" female inlet

## WITH AIR-INJECTION TECHNOLOGY

No

## FUNCTIONS

Single Function

## RUB-CLEAN NOZZLES

No

## SELF-CLEANING

No

## SHOWER HEAD SIZE

200mm (8")

## COLLECTION NAME

Nebula

tel: 01934 744466  
email: sales @vado.com  
www.vado.com

WHERE INSPIRATION FLOWS  
TAPS | SHOWERS | ACCESSORIES



# SPECIFICATION SHEET

COLLECTION: NEBULA  
PRODUCT CODE: IND-RO/20-BG

## FINISH

Bright Gold

## MINIMUM OPERATING PRESSURE

0.2 Bar LP

## MAXIMUM OPERATING PRESSURE

5.0 Bar HP

## GUARANTEE

15 Year Guarantee

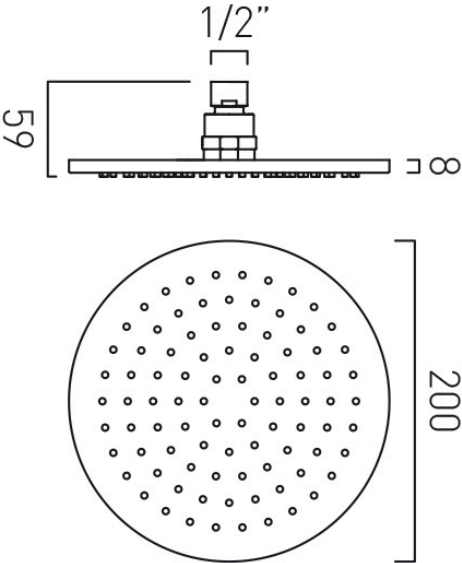
tel: 01934 744466  
email: sales @vado.com  
www.vado.com

WHERE INSPIRATION FLOWS  
TAPS | SHOWERS | ACCESSORIES



# TECHNICAL DRAWING

COLLECTION: NEBULA  
PRODUCT CODE: IND-RO/20-BG



tel: 01934 744466  
email: sales @vado.com  
www.vado.com

WHERE INSPIRATION FLOWS  
TAPS | SHOWERS | ACCESSORIES

