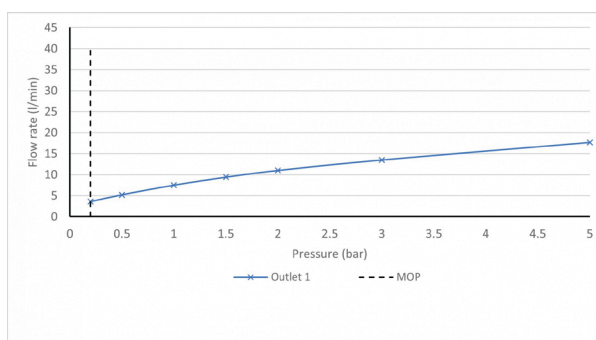


# SPECIFICATION SHEET

COLLECTION: SHOWERING SOLUTIONS  
PRODUCT CODE: IND-SFSRK/RO-ATM-BG



The flow rate displayed is calculated using ideal system conditions. This result should only be taken as an indication as the flow rate may vary depending on the specific in-situ configuration.

## SHOWER TYPE

Slide Rail Shower Kit

## SELF-CLEANING

No

## SLIDE RAIL LENGTH

805mm slide rail with twist control 900mm overall rail length

## WITH CROSS-SPRAY TECHNOLOGY

No

## ADJUSTABLE FIXING FOR EASY RETRO FIT

No

## WITH TWIST CONTROL

No

## WITH PUSH BUTTON CONTROL

No

## WITH HOSE RETAINER

No

## RUB-CLEAN NOZZLES

Yes

tel: 01934 744466  
email: sales @vado.com  
www.vado.com

WHERE INSPIRATION FLOWS  
TAPS | SHOWERS | ACCESSORIES



# SPECIFICATION SHEET

COLLECTION: SHOWERING SOLUTIONS  
PRODUCT CODE: IND-SFSRK/RO-ATM-BG

## FUNCTIONS

1

## WITH AIR-INJECTION TECHNOLOGY

Yes

## HOSE

with 150cm smooth hose

## MOUNTING

Wall Mounted

## PLUMBING SYSTEM SUITABILITY

Gravity System, Pumped System, Combination Boiler, Pressurised System

## COLLECTION NAME

Showering Solutions

## FINISH

Bright Gold

## MINIMUM OPERATING PRESSURE

0.2 Bar LP

## MAXIMUM OPERATING PRESSURE

5.0 Bar HP

## GUARANTEE

15 Year Guarantee

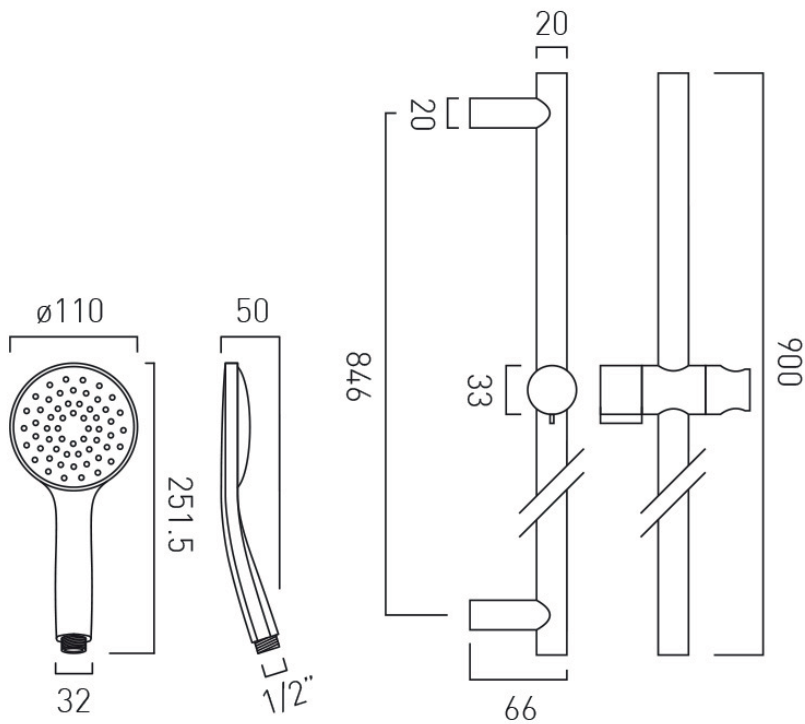
tel: 01934 744466  
email: sales @vado.com  
www.vado.com

WHERE INSPIRATION FLOWS  
TAPS | SHOWERS | ACCESSORIES



# TECHNICAL DRAWING

COLLECTION: SHOWERING SOLUTIONS  
PRODUCT CODE: IND-SFSRK/RO-ATM-BG



tel: 01934 744466  
email: sales @vado.com  
www.vado.com

WHERE INSPIRATION FLOWS  
TAPS | SHOWERS | ACCESSORIES

