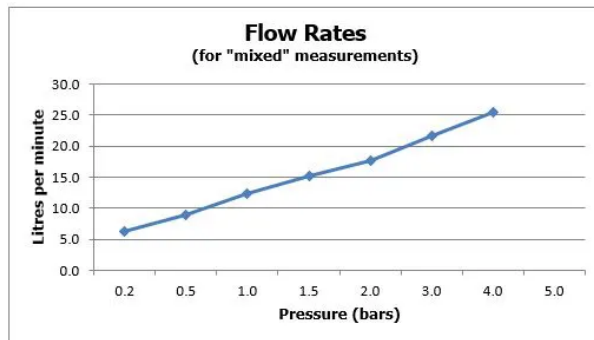
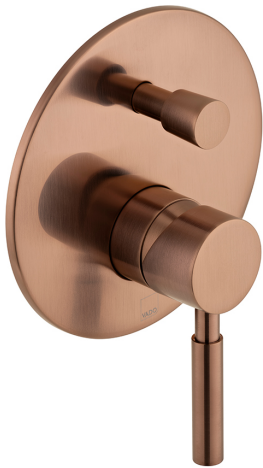


SPECIFICATION SHEET

COLLECTION: ORIGINS
PRODUCT CODE: IND-ORI147A-BRZ



The flow rate displayed is calculated using ideal system conditions. This result should only be taken as an indication as the flow rate may vary depending on the specific in-situ configuration.

SHOWER TYPE

Shower Valve

VALVE TYPE

Concealed

NUMBER OF OUTLETS

2 Outlet

HANDLES

Single Lever

WITH ALL-FLOW FUNCTION

No

WITH INTEGRATED DIVERTER

Yes

COMPATIBLE WITH STUDFAST

No

WITH BLEED VALVE FOR SYSTEM FLUSH ON INSTALLATION

No

WITH SHOWER KIT

No

tel: 01934 744466
email: sales@vado.com
www.vado.com

WHERE INSPIRATION FLOWS
TAPS | SHOWERS | ACCESSORIES



SPECIFICATION SHEET

COLLECTION: ORIGINS
PRODUCT CODE: IND-ORI147A-BRZ

INCLUDES MORTAR / TILE GUARD

No

COMPATIBLE WITH EASY-FIX BRACKETS

No

WITH THERMOSTATIC TECHNOLOGY

No

INSTALLATION TOLERANCES

min-max wall mount 50-70mm

CONNECTIONS / FITTINGS

2 x 1/2" female inlets 2 x 1/2" female outlets

SPARE PARTS

ceramic cartridge CAR-K35A

MOUNTING

Wall Mounted

PLUMBING SYSTEM SUITABILITY

Gravity System, Pumped System, Combination Boiler, Pressurised System

COLLECTION NAME

Origins

FINISH

Brushed Bronze

MINIMUM OPERATING PRESSURE

0.2 Bar LP (Shower) / 1.5 Bar MP (Bath)

MAXIMUM OPERATING PRESSURE

5.0 Bar HP

SPECIFICATION SHEET

COLLECTION: ORIGINS
PRODUCT CODE: IND-ORI147A-BRZ

GUARANTEE
15 Year Guarantee

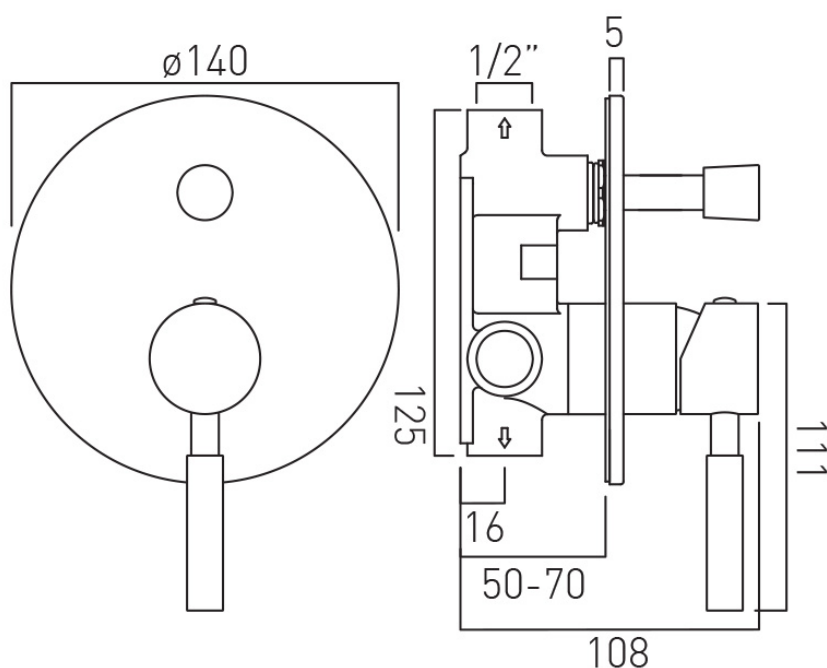
tel: 01934 744466
email: sales@vado.com
www.vado.com

WHERE INSPIRATION FLOWS
TAPS | SHOWERS | ACCESSORIES



TECHNICAL DRAWING

COLLECTION: ORIGINS
PRODUCT CODE: IND-ORI147A-BRZ



tel: 01934 744466
email: sales@vado.com
www.vado.com

WHERE INSPIRATION FLOWS
TAPS | SHOWERS | ACCESSORIES



SPECIFICATION SHEET

COLLECTION: SHOWERING SOLUTIONS
PRODUCT CODE: IND-SFMKWO/RO-BRZ



PLUMBING SYSTEM SUITABILITY

Gravity System, Pumped System, Combination Boiler, Pressurised System

MOUNTING

Wall Mounted

CONNECTIONS / FITTINGS

1/2" inlet

HOSE

with 150cm hose

FUNCTIONS

1

RUB-CLEAN NOZZLES

Yes

WITH OUTLET / BRACKET

with Integrated Outlet and Bracket

COLLECTION NAME

Showering Solutions

FINISH

Brushed Bronze

tel: 01934 744466
email: sales@vado.com
www.vado.com

WHERE INSPIRATION FLOWS
TAPS | SHOWERS | ACCESSORIES



SPECIFICATION SHEET

COLLECTION: SHOWERING SOLUTIONS
PRODUCT CODE: IND-SFMKWO/RO-BRZ

MINIMUM OPERATING PRESSURE

0.2 Bar LP

MAXIMUM OPERATING PRESSURE

5.0 Bar HP

GUARANTEE

15 Year Guarantee

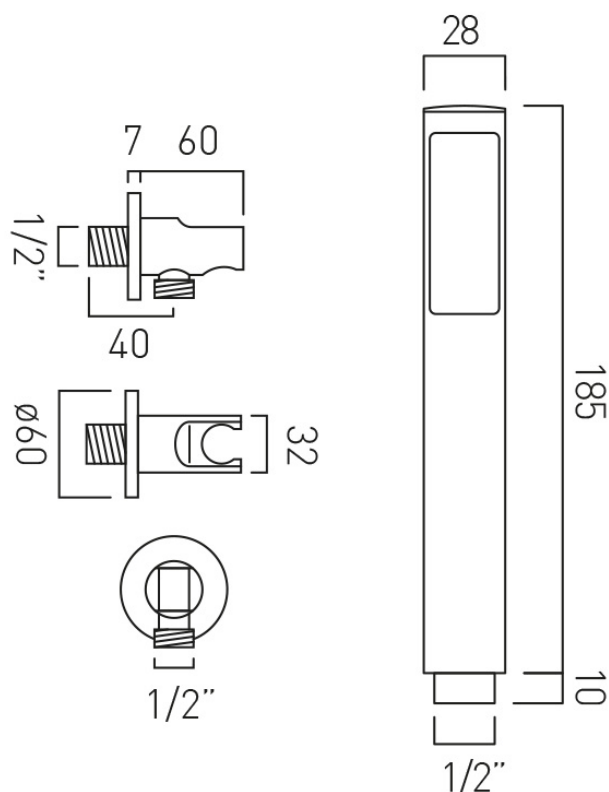
tel: 01934 744466
email: sales@vado.com
www.vado.com

WHERE INSPIRATION FLOWS
TAPS | SHOWERS | ACCESSORIES



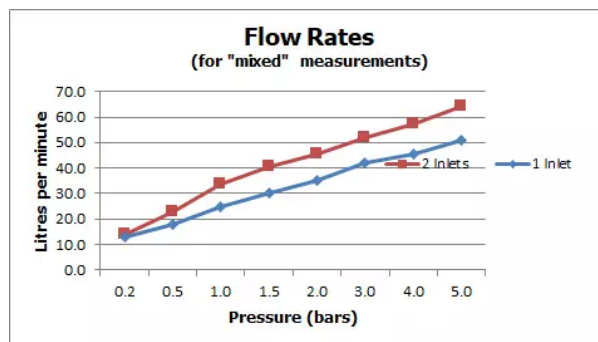
TECHNICAL DRAWING

COLLECTION: SHOWERING SOLUTIONS
PRODUCT CODE: IND-SFMKW0/RO-BRZ



SPECIFICATION SHEET

COLLECTION: WASTES & FITTINGS
PRODUCT CODE: IND-81389/RO-BRZ



The flow rate displayed is calculated using ideal system conditions. This result should only be taken as an indication as the flow rate may vary depending on the specific in-situ configuration.

TAP TYPE

Bath Filler

WITH WATER FLOW STRAIGHTENER

No

INSTALLATION TOLERANCES

min-max overflow bath thickness 1mm-18mm

CONNECTIONS / FITTINGS

2 x 1/2" inlets (one is blanked off) 1.1/2" x 10mm threaded outlet connection

PLUMBING SYSTEM SUITABILITY

Pumped System, Combination Boiler, Pressurised System

COLLECTION NAME

Wastes & Fittings

FINISH

Brushed Bronze

MAXIMUM OPERATING PRESSURE

5.0 Bar HP

MINIMUM OPERATING PRESSURE

1.0 Bar MP

tel: 01934 744466
email: sales@vado.com
www.vado.com

WHERE INSPIRATION FLOWS
TAPS | SHOWERS | ACCESSORIES



SPECIFICATION SHEET

COLLECTION: WASTES & FITTINGS
PRODUCT CODE: IND-81389/RO-BRZ

GUARANTEE

15 Year Guarantee

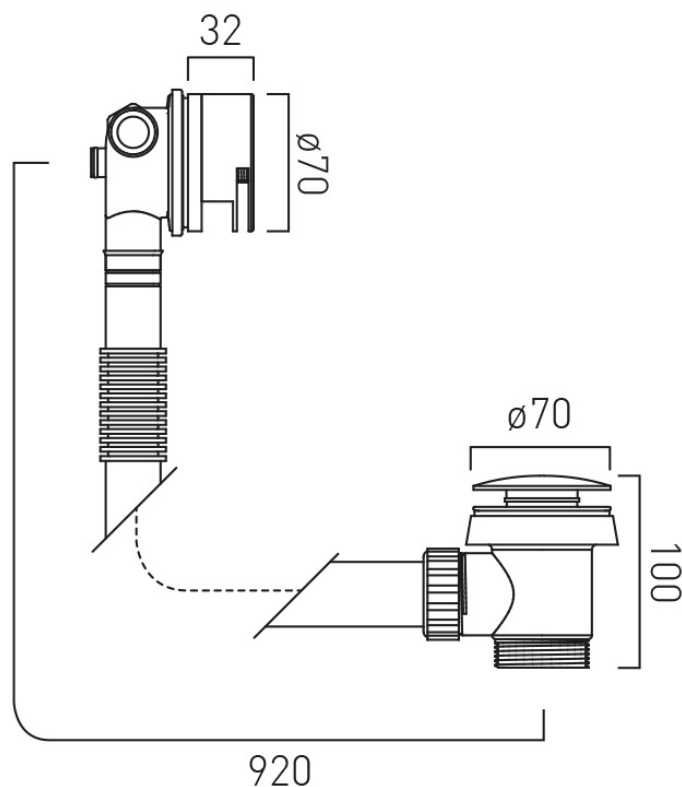
tel: 01934 744466
email: sales@vado.com
www.vado.com

WHERE INSPIRATION FLOWS
TAPS | SHOWERS | ACCESSORIES



TECHNICAL DRAWING

COLLECTION: WASTES & FITTINGS
PRODUCT CODE: IND-81389/RO-BRZ



tel: 01934 744466
email: sales@vado.com
www.vado.com

WHERE INSPIRATION FLOWS
TAPS | SHOWERS | ACCESSORIES

