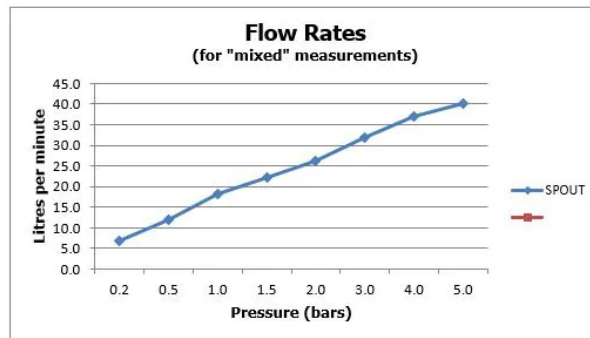


# SPECIFICATION SHEET

COLLECTION: TABLET ALTITUDE  
PRODUCT CODE: IND-T148/2-ALT-BRZ



The flow rate displayed is calculated using ideal system conditions. This result should only be taken as an indication as the flow rate may vary depending on the specific in-situ configuration.

## SHOWER TYPE

Shower Valve

## VALVE TYPE

Concealed

## ORIENTATION

Vertical

## NUMBER OF OUTLETS

2 Outlet

## HANDLES

2 Handle

## WITH ALL-FLOW FUNCTION

Yes

## WITH INTEGRATED DIVERTER

No

## COMPATIBLE WITH STUDFAST

Yes

## WITH BLEED VALVE FOR SYSTEM FLUSH ON INSTALLATION

No

tel: 01934 744466  
email: [sales@vado.com](mailto:sales@vado.com)  
[www.vado.com](http://www.vado.com)

WHERE INSPIRATION FLOWS  
TAPS | SHOWERS | ACCESSORIES



# SPECIFICATION SHEET

COLLECTION: TABLET ALTITUDE  
PRODUCT CODE: IND-T148/2-ALT-BRZ

## WITH SHOWER KIT

No

## INCLUDES MORTAR / TILE GUARD

Yes

## COMPATIBLE WITH EASY-FIX BRACKETS

No

## WITH THERMOSTATIC TECHNOLOGY

Yes

## INSTALLATION TOLERANCES

min-max wall mount 75-100mm optimum installation depth 87mm

## CONNECTIONS / FITTINGS

2 x 3/4" female inlets 2 x 3/4" female outlets

## SPARE PARTS

thermostatic cartridge V-704-34S diverter cartridge FL-802-33/2MX

## MOUNTING

Wall Mounted

## PLUMBING SYSTEM SUITABILITY

Gravity System, Pumped System, Combination Boiler, Pressurised System

## COLLECTION NAME

Tablet Altitude

## FINISH

Brushed Bronze

## MINIMUM OPERATING PRESSURE

0.2 Bar LP (Shower) / 1.0 Bar MP (Bath)

tel: 01934 744466  
email: [sales@vado.com](mailto:sales@vado.com)  
[www.vado.com](http://www.vado.com)

WHERE INSPIRATION FLOWS  
TAPS | SHOWERS | ACCESSORIES



# SPECIFICATION SHEET

COLLECTION: TABLET ALTITUDE  
PRODUCT CODE: IND-T148/2-ALT-BRZ

## MAXIMUM OPERATING PRESSURE

5.0 Bar HP

## GUARANTEE

15 Year Guarantee

tel: 01934 744466  
email: [sales@vado.com](mailto:sales@vado.com)  
[www.vado.com](http://www.vado.com)

WHERE INSPIRATION FLOWS  
TAPS | SHOWERS | ACCESSORIES



# SPECIFICATION SHEET

COLLECTION: SHOWERING SOLUTIONS  
PRODUCT CODE: IND-SFMKWO/RO-BRZ



## PLUMBING SYSTEM SUITABILITY

Gravity System, Pumped System, Combination Boiler, Pressurised System

## MOUNTING

Wall Mounted

## CONNECTIONS / FITTINGS

1/2" inlet

## HOSE

with 150cm hose

## FUNCTIONS

1

## RUB-CLEAN NOZZLES

Yes

## WITH OUTLET / BRACKET

with Integrated Outlet and Bracket

## COLLECTION NAME

Showering Solutions

## FINISH

Brushed Bronze

tel: 01934 744466  
email: sales@vado.com  
www.vado.com

WHERE INSPIRATION FLOWS  
TAPS | SHOWERS | ACCESSORIES



# SPECIFICATION SHEET

COLLECTION: SHOWERING SOLUTIONS  
PRODUCT CODE: IND-SFMKWO/RO-BRZ

MINIMUM OPERATING PRESSURE

0.2 Bar LP

MAXIMUM OPERATING PRESSURE

5.0 Bar HP

GUARANTEE

15 Year Guarantee

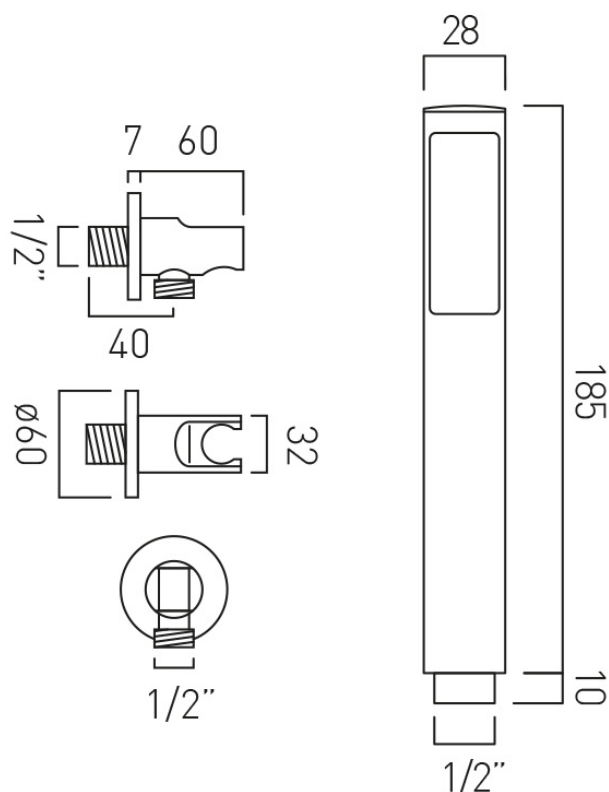
tel: 01934 744466  
email: [sales@vado.com](mailto:sales@vado.com)  
[www.vado.com](http://www.vado.com)

WHERE INSPIRATION FLOWS  
TAPS | SHOWERS | ACCESSORIES



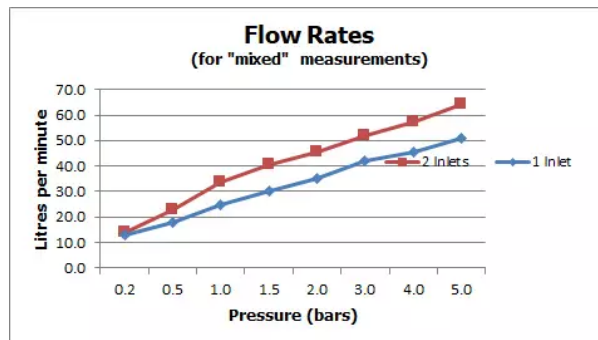
# TECHNICAL DRAWING

COLLECTION: SHOWERING SOLUTIONS  
PRODUCT CODE: IND-SFMKW0/RO-BRZ



# SPECIFICATION SHEET

COLLECTION: WASTES & FITTINGS  
PRODUCT CODE: IND-81389/RO-BRZ



The flow rate displayed is calculated using ideal system conditions. This result should only be taken as an indication as the flow rate may vary depending on the specific in-situ configuration.

## TAP TYPE

Bath Filler

## WITH WATER FLOW STRAIGHTENER

No

## INSTALLATION TOLERANCES

min-max overflow bath thickness 1mm-18mm

## CONNECTIONS / FITTINGS

2 x 1/2" inlets (one is blanked off) 1.1/2" x 10mm threaded outlet connection

## PLUMBING SYSTEM SUITABILITY

Pumped System, Combination Boiler, Pressurised System

## COLLECTION NAME

Wastes & Fittings

## FINISH

Brushed Bronze

## MAXIMUM OPERATING PRESSURE

5.0 Bar HP

## MINIMUM OPERATING PRESSURE

1.0 Bar MP

tel: 01934 744466  
email: sales@vado.com  
www.vado.com

WHERE INSPIRATION FLOWS  
TAPS | SHOWERS | ACCESSORIES



# SPECIFICATION SHEET

COLLECTION: WASTES & FITTINGS  
PRODUCT CODE: IND-81389/RO-BRZ

## GUARANTEE

15 Year Guarantee

tel: 01934 744466  
email: [sales@vado.com](mailto:sales@vado.com)  
[www.vado.com](http://www.vado.com)

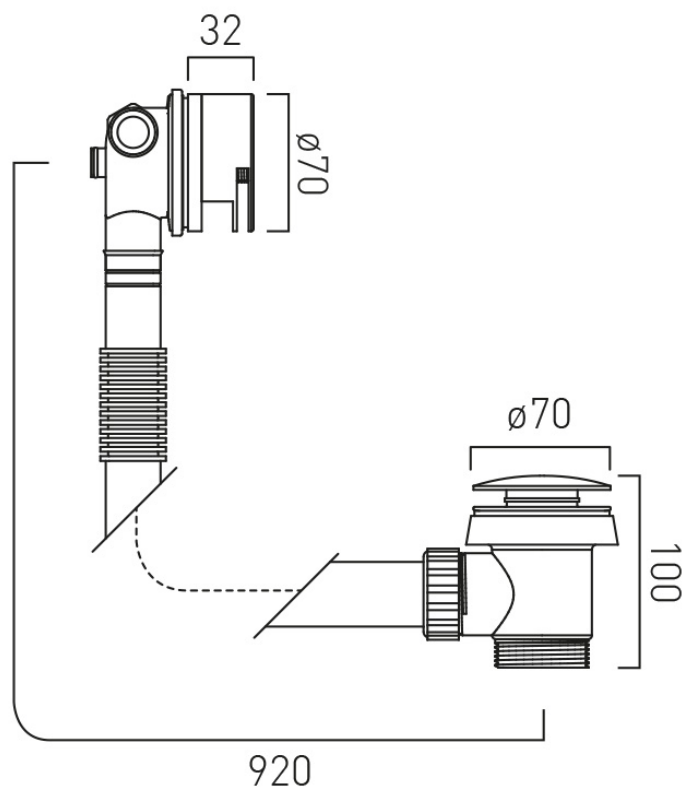
WHERE INSPIRATION FLOWS  
TAPS | SHOWERS | ACCESSORIES





# TECHNICAL DRAWING

COLLECTION: WASTES & FITTINGS  
PRODUCT CODE: IND-81389/RO-BRZ



tel: 01934 744466  
email: sales@vado.com  
www.vado.com

WHERE INSPIRATION FLOWS  
TAPS | SHOWERS | ACCESSORIES

