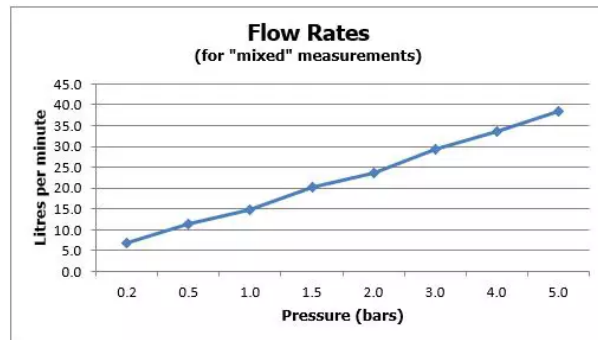
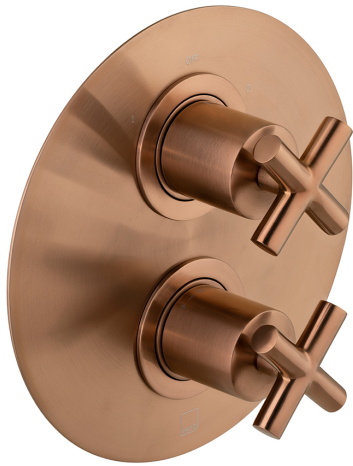


# SPECIFICATION SHEET

COLLECTION: ELEMENTS

PRODUCT CODE: IND-ELE148D/2-BRZ



The flow rate displayed is calculated using ideal system conditions. This result should only be taken as an indication as the flow rate may vary depending on the specific in-situ configuration.

## SHOWER TYPE

Shower Valve

## VALVE TYPE

Concealed

## ORIENTATION

Vertical

## NUMBER OF OUTLETS

2 Outlet

## WITH ALL-FLOW FUNCTION

No

## WITH INTEGRATED DIVERTER

No

## COMPATIBLE WITH STUDFAST

Yes

## WITH BLEED VALVE FOR SYSTEM FLUSH ON INSTALLATION

Yes

## WITH SHOWER KIT

No

tel: 01934 744466  
email: [sales@vado.com](mailto:sales@vado.com)  
[www.vado.com](http://www.vado.com)

WHERE INSPIRATION FLOWS  
TAPS | SHOWERS | ACCESSORIES



# SPECIFICATION SHEET

COLLECTION: ELEMENTS

PRODUCT CODE: IND-ELE148D/2-BRZ

**INCLUDES MORTAR / TILE GUARD**

Yes

**COMPATIBLE WITH EASY-FIX BRACKETS**

No

**WITH THERMOSTATIC TECHNOLOGY**

Yes

**INSTALLATION TOLERANCES**

min-max wall mount 70-95mm optimum installation depth 82mm

**CONNECTIONS / FITTINGS**

2 x 3/4" female inlets 2 x 3/4" female outlets

**SPARE PARTS**

thermostatic cartridge V-704-34S diverter cartridge C-803-33X/3X

**MOUNTING**

Wall Mounted

**PLUMBING SYSTEM SUITABILITY**

Gravity System, Pumped System, Combination Boiler, Pressurised System

**COLLECTION NAME**

Elements

**FINISH**

Brushed Bronze

**MINIMUM OPERATING PRESSURE**

0.2 Bar LP (Shower) / 1.0 Bar MP (Bath)

**MAXIMUM OPERATING PRESSURE**

5.0 Bar HP

tel: 01934 744466  
email: sales@vado.com  
www.vado.com

WHERE INSPIRATION FLOWS  
TAPS | SHOWERS | ACCESSORIES



# SPECIFICATION SHEET

COLLECTION: ELEMENTS

PRODUCT CODE: IND-ELE148D/2-BRZ

## GUARANTEE

15 Year Guarantee

tel: 01934 744466  
email: [sales@vado.com](mailto:sales@vado.com)  
[www.vado.com](http://www.vado.com)

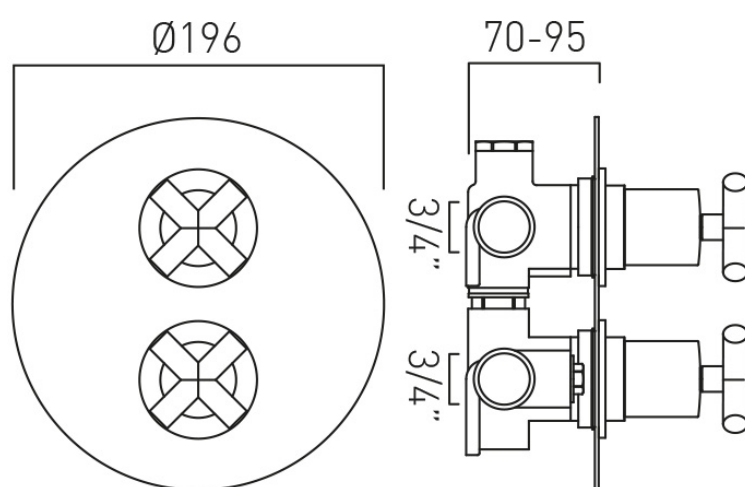
WHERE INSPIRATION FLOWS  
TAPS | SHOWERS | ACCESSORIES



# TECHNICAL DRAWING

COLLECTION: ELEMENTS

PRODUCT CODE: IND-ELE148D/2-BRZ



# SPECIFICATION SHEET

COLLECTION: SHOWERING SOLUTIONS  
PRODUCT CODE: IND-SFMKWO/RO-BRZ



## PLUMBING SYSTEM SUITABILITY

Gravity System, Pumped System, Combination Boiler, Pressurised System

## MOUNTING

Wall Mounted

## CONNECTIONS / FITTINGS

1/2" inlet

## HOSE

with 150cm hose

## FUNCTIONS

1

## RUB-CLEAN NOZZLES

Yes

## WITH OUTLET / BRACKET

with Integrated Outlet and Bracket

## COLLECTION NAME

Showering Solutions

## FINISH

Brushed Bronze

tel: 01934 744466  
email: sales@vado.com  
www.vado.com

WHERE INSPIRATION FLOWS  
TAPS | SHOWERS | ACCESSORIES



# SPECIFICATION SHEET

COLLECTION: SHOWERING SOLUTIONS  
PRODUCT CODE: IND-SFMKWO/RO-BRZ

MINIMUM OPERATING PRESSURE

0.2 Bar LP

MAXIMUM OPERATING PRESSURE

5.0 Bar HP

GUARANTEE

15 Year Guarantee

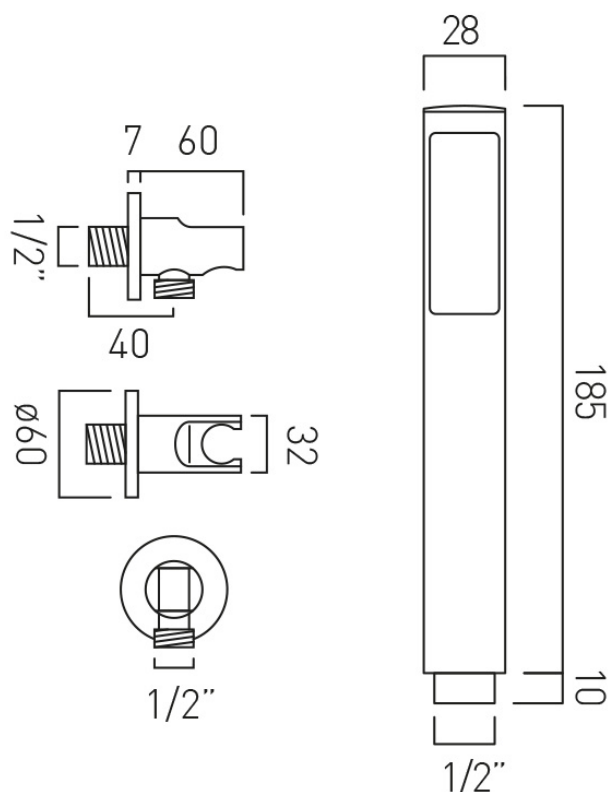
tel: 01934 744466  
email: [sales@vado.com](mailto:sales@vado.com)  
[www.vado.com](http://www.vado.com)

WHERE INSPIRATION FLOWS  
TAPS | SHOWERS | ACCESSORIES



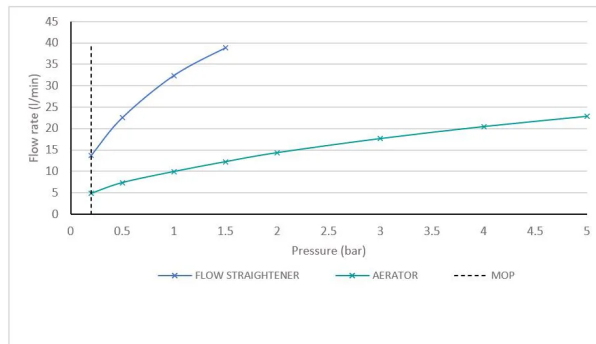
# TECHNICAL DRAWING

COLLECTION: SHOWERING SOLUTIONS  
PRODUCT CODE: IND-SFMKW0/RO-BRZ



# SPECIFICATION SHEET

COLLECTION: ORIGINS  
PRODUCT CODE: IND-ORI140-BRZ



The flow rate displayed is calculated using ideal system conditions. This result should only be taken as an indication as the flow rate may vary depending on the specific in-situ configuration.

## TAP TYPE

Bath Spout

## PLUMBING SYSTEM SUITABILITY

Gravity System

## MOUNTING

Wall Mounted

## STYLE

Round

## CONNECTIONS / FITTINGS

1/2" x 12mm threaded connections

## NOTES

sleeve slides entire length of spout

## COLLECTION NAME

Origins

## FINISH

Brushed Bronze

## MINIMUM OPERATING PRESSURE

0.2 Bar LP

tel: 01934 744466  
email: sales@vado.com  
www.vado.com

WHERE INSPIRATION FLOWS  
TAPS | SHOWERS | ACCESSORIES





# SPECIFICATION SHEET

COLLECTION: ORIGINS  
PRODUCT CODE: IND-ORI140-BRZ

MAXIMUM OPERATING PRESSURE

5.0 Bar HP

GUARANTEE

15 Year Guarantee

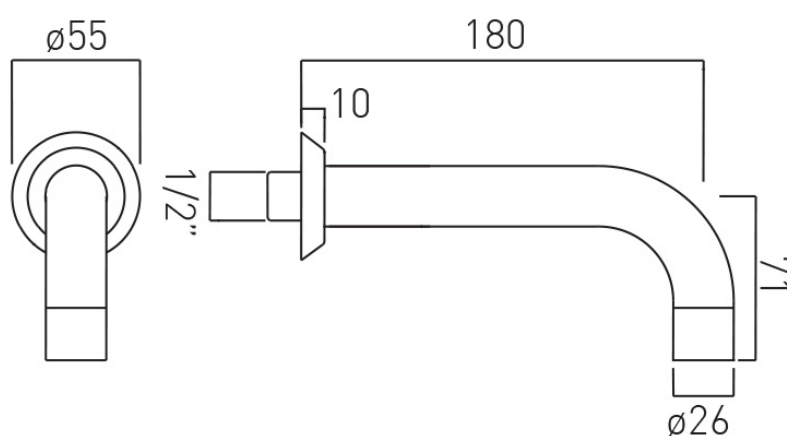
tel: 01934 744466  
email: [sales@vado.com](mailto:sales@vado.com)  
[www.vado.com](http://www.vado.com)

WHERE INSPIRATION FLOWS  
TAPS | SHOWERS | ACCESSORIES



# TECHNICAL DRAWING

COLLECTION: ORIGINS  
PRODUCT CODE: IND-ORI140-BRZ



tel: 01934 744466  
email: sales@vado.com  
www.vado.com

WHERE INSPIRATION FLOWS  
TAPS | SHOWERS | ACCESSORIES

