

## Customer/technical services

For any technical or installation queries please contact Vado on 01934 745163.

## Guarantee

This product is guaranteed against manufacturing defects from the date of purchase until the expiry of the relevant guarantee period shown below.

### The guarantee is only valid if:-

1. The product has been installed, used and maintained in accordance with Vado's instructions and subjected to normal use only.
2. The defect is not due to use of an unsuitable or inadequate water or power supply.
3. The defect is not due to accident, misuse, neglect or repair other than by Vado or Vado authorised agents or damage caused by foreign objects or substances.
4. We have received from you the completed Guarantee Registration Form. Vado accepts no responsibility for any forms lost in the post and returns by registered means is therefore recommended.

Under this guarantee (which is non-transferable) Vado will, at its option, repair or replace free of charge any product (or replacement part) found to be defective. The guarantee does not extend to any consequential loss or damage. After repair or replacement the relevant guarantee period will be calculated from the original date of purchase.

### The relevant guarantee periods are:-

1. Twelve years on chrome finish products.
2. Six years on Vado Identity products.
3. Three years on all other products with the exception of Stuart Turner Pumps which carry a 2 year Guarantee on Monsoon Range and 1 Year Guarantee on Showermate Range.

All claims under the guarantee must be submitted in writing to the person who supplied the product to you and must be received no later than the last day of the relevant guarantee period. All claims must be accompanied by proof of purchase (sales receipt or delivery note).

Vado operates a policy of continuous product development and therefore reserves the right to change the product, packaging and documentation specifications without notice.

This guarantee is in addition to and does not affect your statutory rights as a consumer.

### Vado

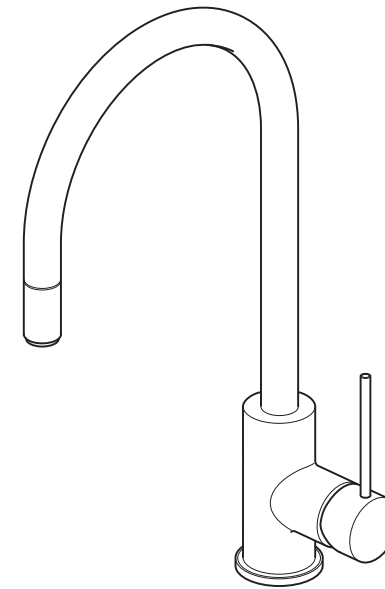
Wedmore Road, Cheddar, Somerset, England BS27 3EB  
tel 01934 744466. fax 01934 744345  
technical@vado-uk.com  
www.vado-uk.com

### GUARANTEE REGISTRATION

NAME				
ADDRESS				
	POSTCODE			
RETAILER				
ADDRESS				
	POSTCODE			
PURCHASE DATE	ARTICLE NUMBER	(SEE BOX)		
PRODUCT DESCRIPTION				
WHO INSTALLED THE PRODUCT?	RETAILER	PLUMBER	BUILDER	SELF
FOR VADO USE				



## Installation & maintenance instructions



cucina

A range of kitchen mixers

Please leave these instructions with the customer

## Important - please read

Please read these instructions carefully before starting installation and keep for future reference.

Remove all packaging and check the product for missing parts or damage before starting installation.

Any alterations made to this product and fittings may infringe water regulations and will invalidate the guarantee.

The installation must comply with all Local/National Water Supply Authority Regulations/Byelaws and Building and Plumbing (UK:BS6700) Regulations.

We strongly recommend that you use a qualified and registered plumber.

## General installation

Where connections are made to the mains cold water supply, WRC approved single check valves must be fitted to both hot and cold inlets. This is a stated requirement of Water Supply (Water Fittings) Regulations 1999 Schedule 2, Section 15.

Before making any inlet pipe connections, all supply pipes **MUST** be thoroughly flushed to remove debris. Failure to do so could result in damage or low flow from the mixer unit. Water Supply (Water Fittings) Regulations 1999 Schedule 2 Section 13.

The fitting of isolating valves to the inlet feeds is advised for ease of maintenance.

Please take great care when installing this valve not to damage its surface.

Please note if installing in an enclosed environment, access should be left for servicing and maintenance. No costs relating to inadequate access can be accepted.

## Care of the mixer

Our products are finished to the highest standard and due care needs to be taken to ensure their looks are retained.

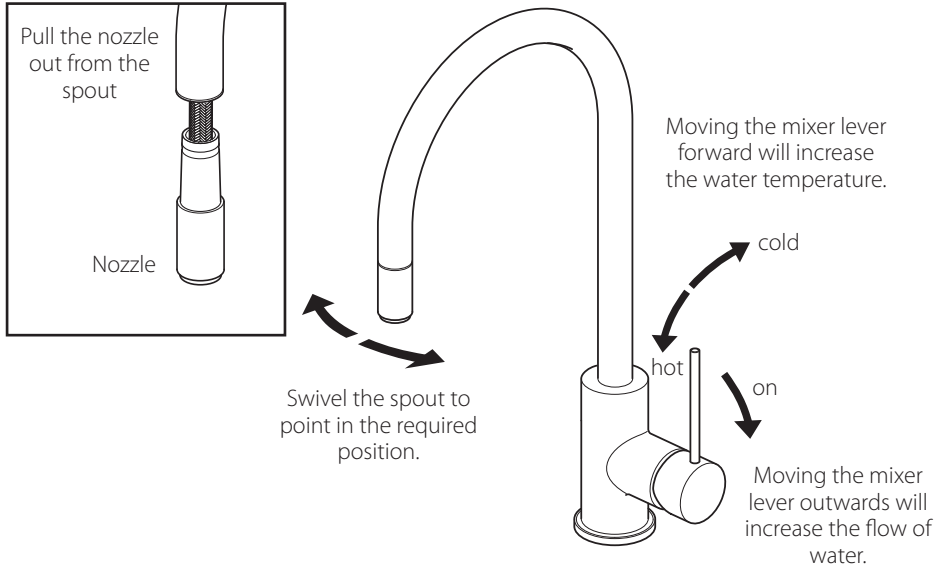
We recommend cleaning all products with a soft damp cloth **ONLY** and advise strongly against the use of **ALL** cleaning products i.e. powders and liquids.

If the above instructions are not followed this will invalidate your guarantee in the event of a problem occurring.

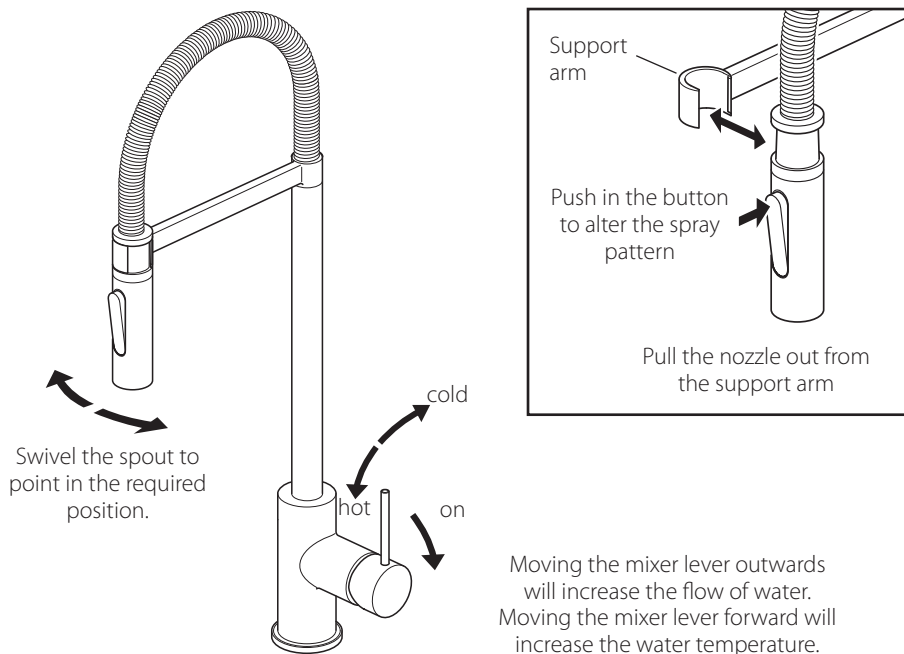
To remove any build up of limescale, just rub your fingers lightly over the nozzle.

## Installers/users notes

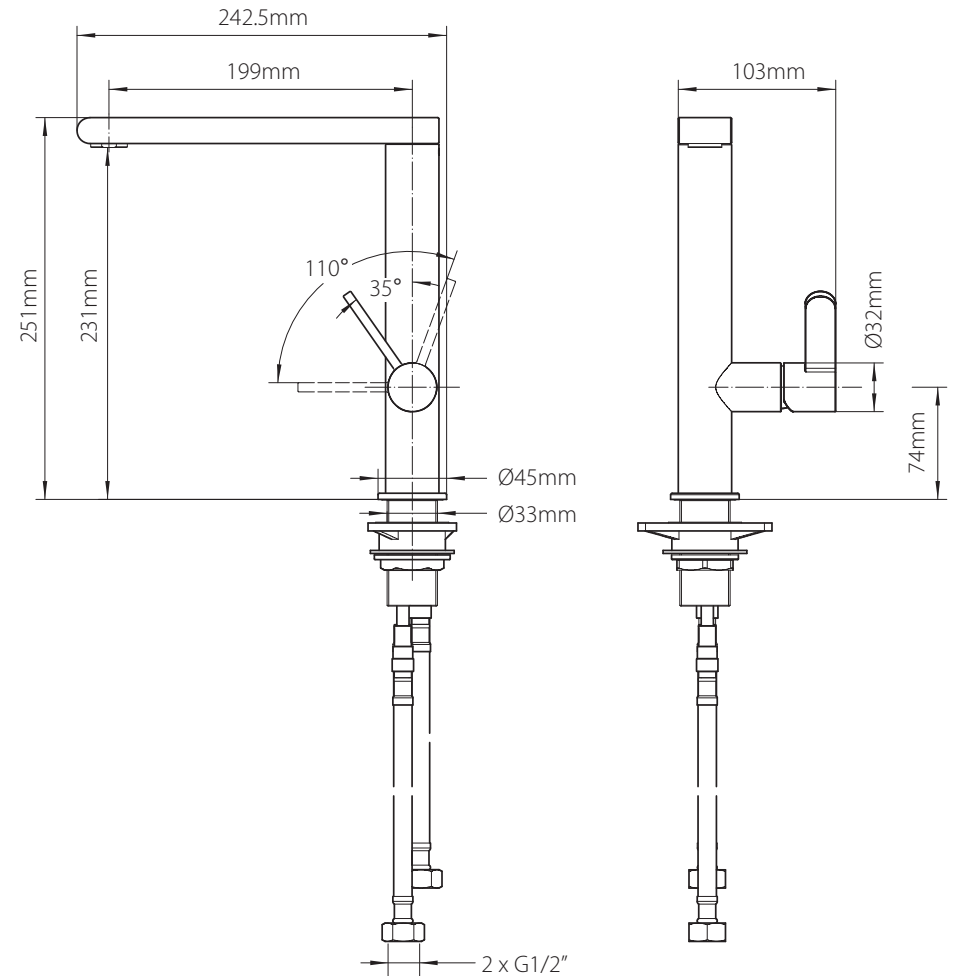
### CUC-3002-C/P - Operation



### CUC-3003-C/P - Operation



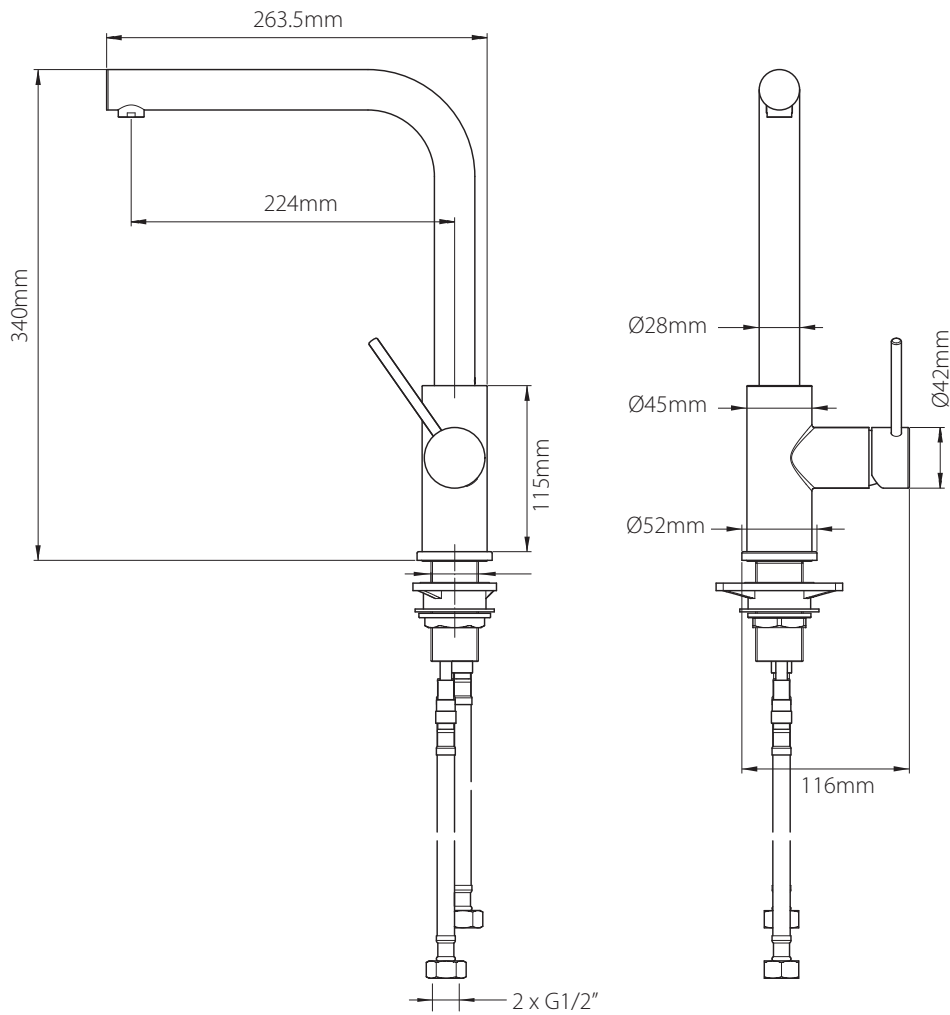
### CUC-1006-C/P - Dimensions



### Operating Specifications

Minimum operating pressure 1bar  
Maximum operating pressure 5 bar

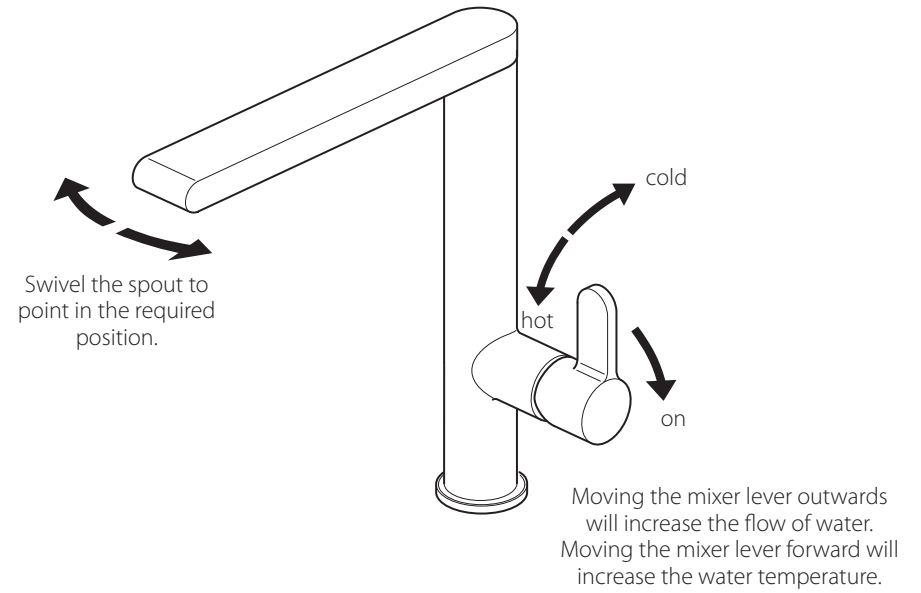
## CUC-1007-C/P - Dimensions



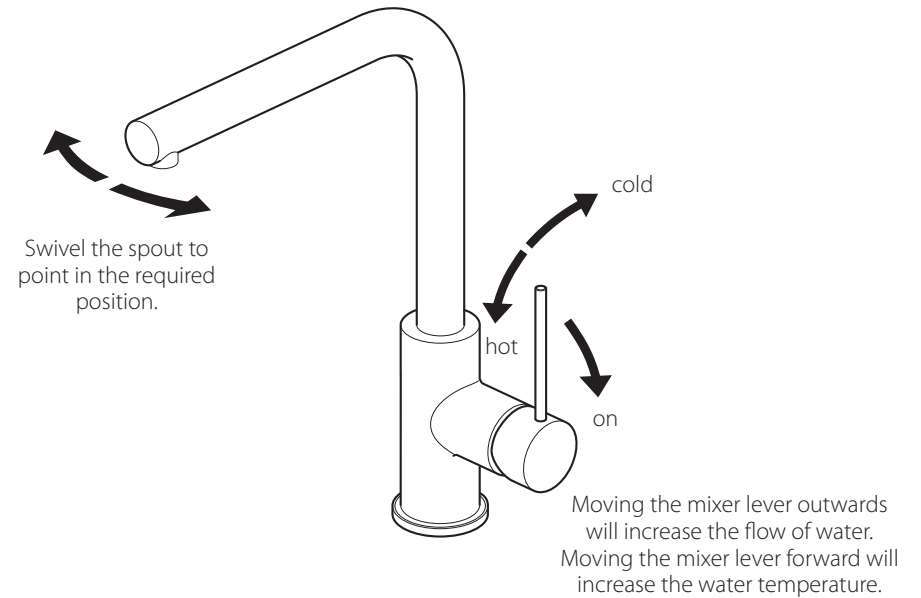
## Operating Specifications

Minimum operating pressure 1bar  
Maximum operating pressure 5 bar

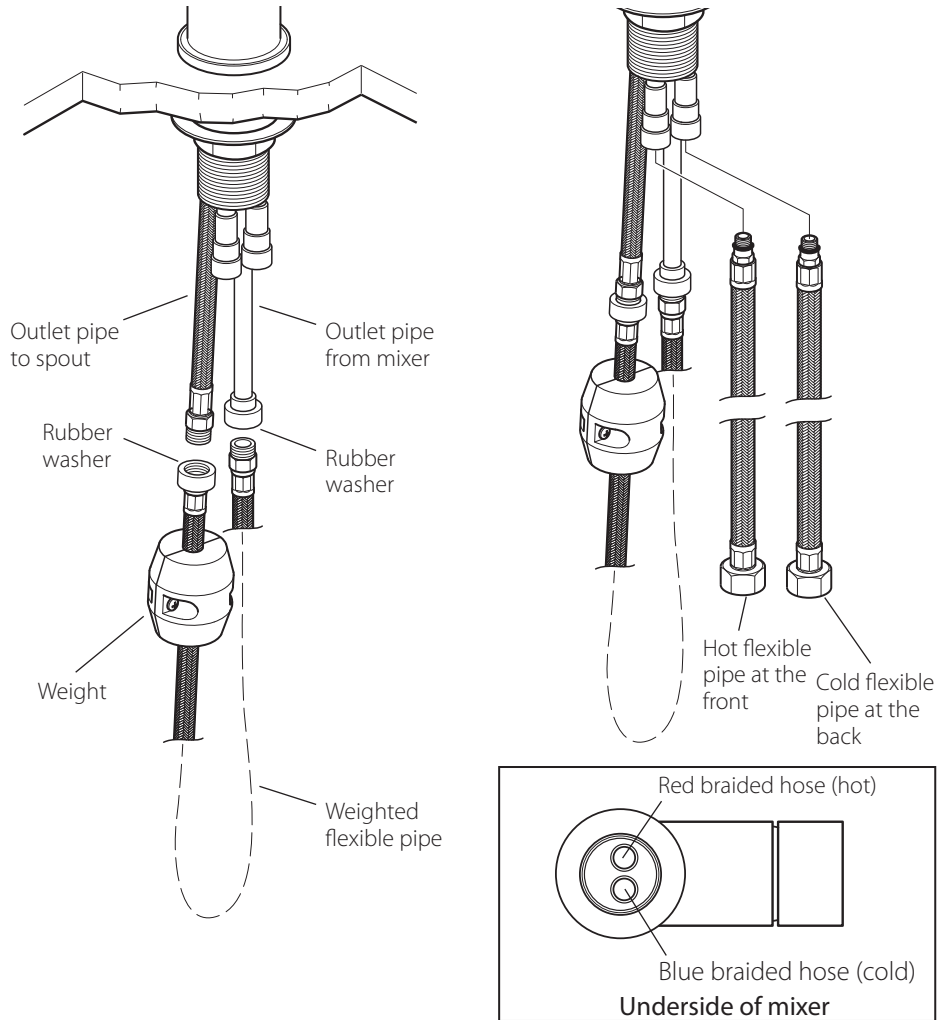
## CUC-1006-C/P - Operation



## CUC-1007-C/P - Operation



## CUC-3002-C/P - Installation



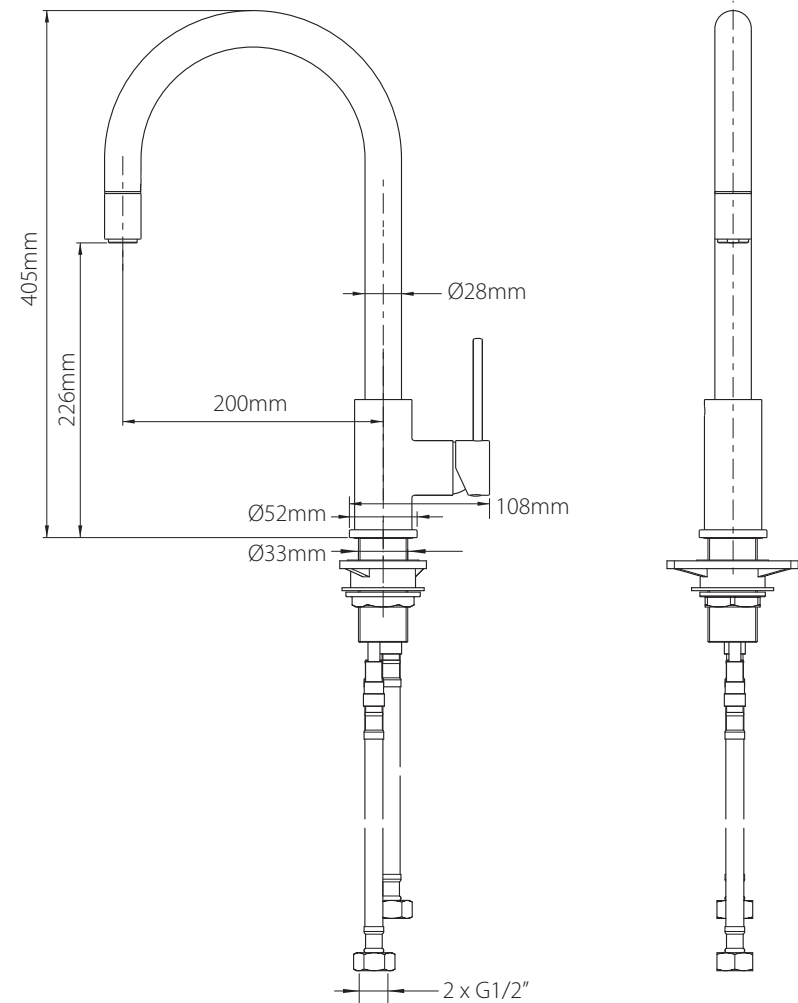
Connect the flexible pipe with the weight at the end to the flexible pipe coming from the mixer. Make sure that the rubber washer is in place within the nut.

Connect the other end of the flexible pipe to the metal pipe coming from the mixer (see above). Make sure that the rubber washer is in place within the nut.

Screw the two flexible pipes into the inlet connections, and hand tighten (see above). The red braided hose (hot) to the front and the blue braided hose (cold) to the back.

Connect the water supply to the flexible pipes. The hot water should be connected to the front pipe (red) and cold to the back pipe (blue).

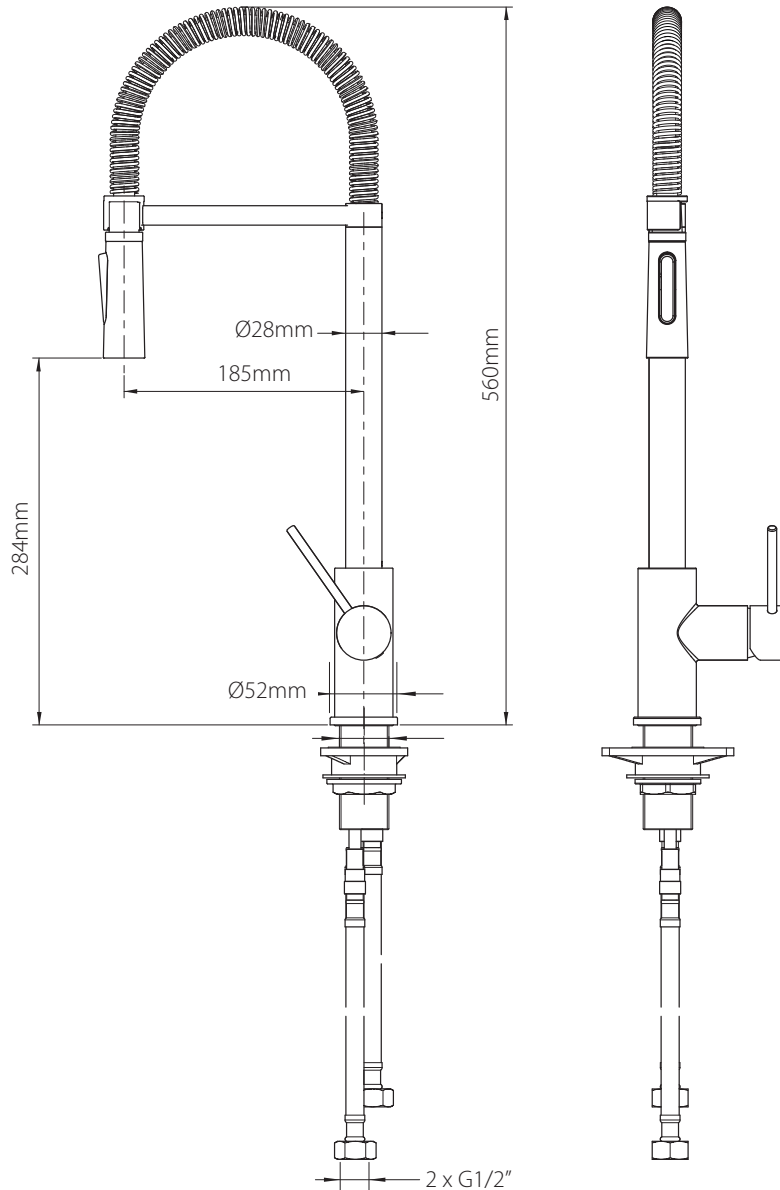
## CUC-3002-C/P - Dimensions



### Operating Specifications

Minimum operating pressure 1 bar  
Maximum operating pressure 5 bar

## CUC-3003-C/P - Dimensions



## Operating Specifications

Minimum operating pressure 1bar  
Maximum operating pressure 5 bar

## Installation

Before installing your new mixer, flush through the pipework to ensure removal of debris, turn off the water supply.

Check the O-ring is in position in the groove at the bottom of the mixer.

Position the mixer on the sink.  
Make sure that the spout will swing equally from one side to the other.

From the underside of the sink slide on the rubber washer, nylon spacer, metal washer over the threaded tube then screw on the nut. Tighten the nut to clamp the mixer to the sink.

**CAUTION:** Do not over tighten the nut as this may damage the sink.

**For CUC-3002 continue on next page.**

**CUC-1006, CUC-1007 and CUC-3003.**

Screw the two flexible pipes into the inlet connections, and hand tighten (see below).

The red braided hose (hot) to the front and the blue braided hose (cold) to the back.

Connect the water supply to the flexible pipes. The hot water should be connected to the front pipe (red) and cold to the back pipe (blue).

