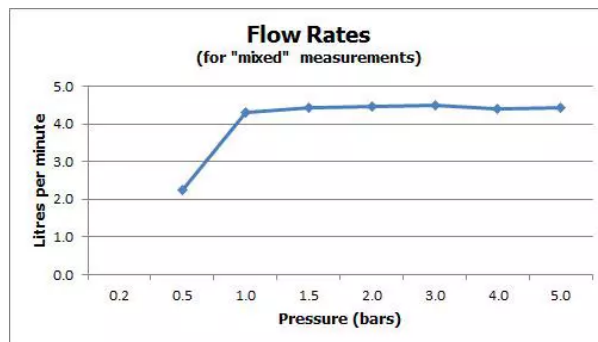


SPECIFICATION SHEET

COLLECTION: I-TECH
PRODUCT CODE: IR-WSPOUT-C/P



The flow rate displayed is calculated using ideal system conditions. This result should only be taken as an indication as the flow rate may vary depending on the specific in-situ configuration.

TAP TYPE

Infra-red

PLUMBING SYSTEM SUITABILITY

Pumped System, Combination Boiler, Pressurised System

MOUNTING

Wall Mounted

WITH WATER FLOW AERATOR

No

NOTES

Mains or battery operated
Takes standard AA batteries

COLLECTION NAME

I-Tech

FINISH

Chrome

RECOMMENDED FLOW REGULATOR

4 l/m flow regulator fitted as standard

MINIMUM OPERATING PRESSURE

1.0 Bar MP

tel: 01934 744466
email: sales@vado.com
www.vado.com

WHERE INSPIRATION FLOWS
TAPS | SHOWERS | ACCESSORIES



SPECIFICATION SHEET

COLLECTION: I-TECH
PRODUCT CODE: IR-WSPOUT-C/P

MAXIMUM OPERATING PRESSURE

5.0 Bar HP

GUARANTEE

5 Year Guarantee

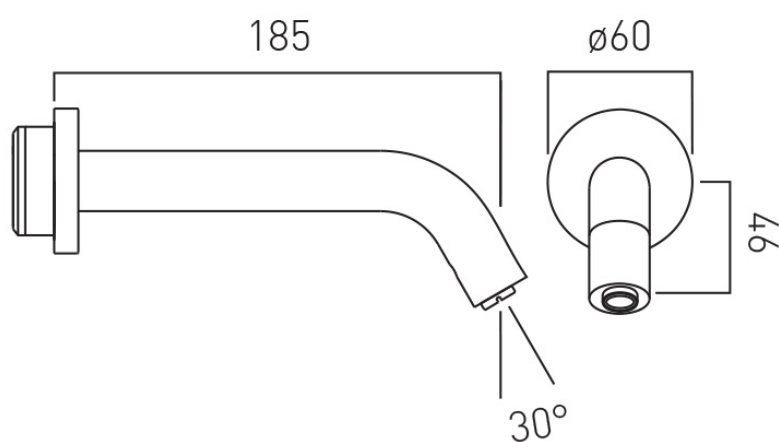
tel: 01934 744466
email: sales@vado.com
www.vado.com

WHERE INSPIRATION FLOWS
TAPS | SHOWERS | ACCESSORIES



TECHNICAL DRAWING

COLLECTION: I-TECH
PRODUCT CODE: IR-WSPOUT-C/P



tel: 01934 744466
email: sales@vado.com
www.vado.com

WHERE INSPIRATION FLOWS
TAPS | SHOWERS | ACCESSORIES

