

SPECIFICATION SHEET

COLLECTION: PROTHERM
PRODUCT CODE: PRO-5001/C-22MM



COLLECTION NAME

Protherm

FINISH

Chrome

GUARANTEE

15 Year Guarantee

NOTES

for use with protherm in-line thermostatic valve

WITH THERMOSTATIC TECHNOLOGY

No

tel: 01934 744466
email: sales@vado.com
www.vado.com

WHERE INSPIRATION FLOWS
TAPS | SHOWERS | ACCESSORIES



SPECIFICATION SHEET

COLLECTION: PROTHERM

PRODUCT CODE: PRO-5001/C-22MM

tel: 01934 744466
email: sales@vado.com
www.vado.com

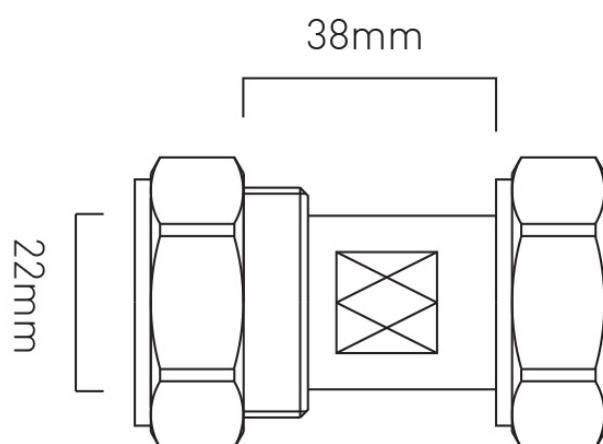
WHERE INSPIRATION FLOWS
TAPS | SHOWERS | ACCESSORIES



TECHNICAL DRAWING

COLLECTION: PROTHERM

PRODUCT CODE: PRO-5001/C-22MM



tel: 01934 744466
email: sales@vado.com
www.vado.com

WHERE INSPIRATION FLOWS
TAPS | SHOWERS | ACCESSORIES

