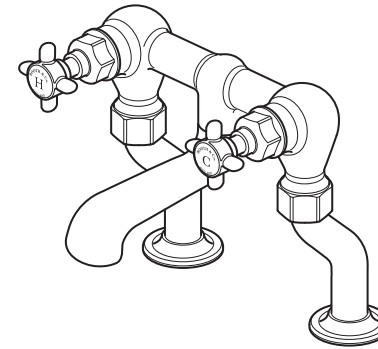




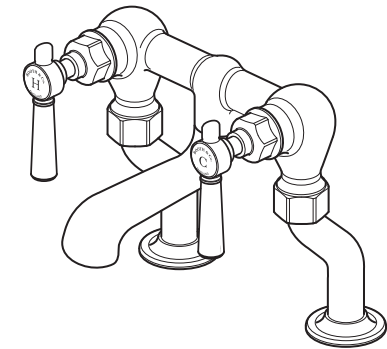
# BOOTH & Co.

ENGLAND



This instruction booklet covers model:

- BC-AXB-137-CP
- BC-AXB-137-BN
- BC-AXB-237-CP
- BC-AXB-237-BN



VADO  
Wedmore Road, Cheddar,  
Somerset, England BS27 3EB  
tel 01934 744466  
fax 01934 744345  
www.vado.com  
sales@vado.com

## AXBRIDGE

BC-AXB-137-CP, BC-AXB-137-BN  
BC-AXB-237-CP, BC-AXB-237-BN  
INSTALLATION GUIDE

Version 1, 1-5-19

BOOTH & Co.  
ENGLAND

## Important - please read

Please read these instructions carefully before starting installation and keep for future reference.

Remove all packaging and check the product for missing parts or damage before starting installation.

Any alterations made to this product and fittings may infringe water regulations and will invalidate the guarantee.

The installation must comply with all Local/National Water Supply Authority Regulations/Byelaws and Building and Plumbing Regulations.

To be installed in accordance with BS EN806.

We strongly recommend that you use a qualified and registered plumber.

## General installation

This fitting is a mixing device and therefore water supplies should be reasonably balanced.

When installed, the fitting must comply with the requirements of the Water Supply (Water Fittings) Regulations 1999 and Scottish Byelaws 2004.

For further information, contact the Water Regulations department of your local water supplier (see the WRAS website [www.wras.co.uk](http://www.wras.co.uk) for details) or the Water Regulations Advisory Scheme by email ([info@wras.co.uk](mailto:info@wras.co.uk)) or telephone: 01495848454.

Before making any inlet pipe connections, all supply pipes MUST be thoroughly flushed to remove debris. Failure to do so could result in damage or low flow from the mixer unit. Water Supply (Water Fittings) Regulations 1999 Schedule 2 Section 13.

The fitting of isolating valves to the inlet feeds is advised for ease of maintenance.

Please take great care when installing this mixer not to damage its surface.

Please note if installing in an enclosed environment, access should be left for servicing and maintenance. No costs relating to inadequate access can be accepted.

## Operating Specifications

### Operating Pressure

**Minimum operating pressure** 1 bar

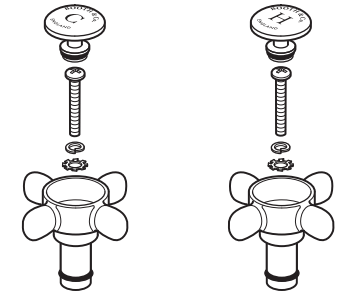
**Maximum operating pressure** 5 bar

## Contents of Packaging

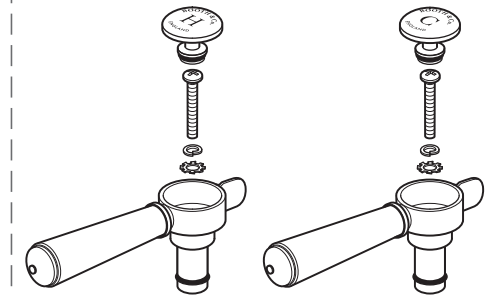


Installation guide &  
User manual

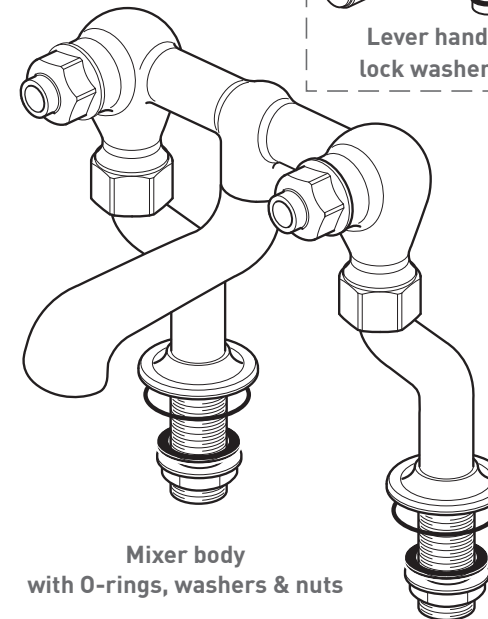
### Cross handle option OR Lever handle option



Cross handles with spring washer,  
lock washer, screw and screw cover

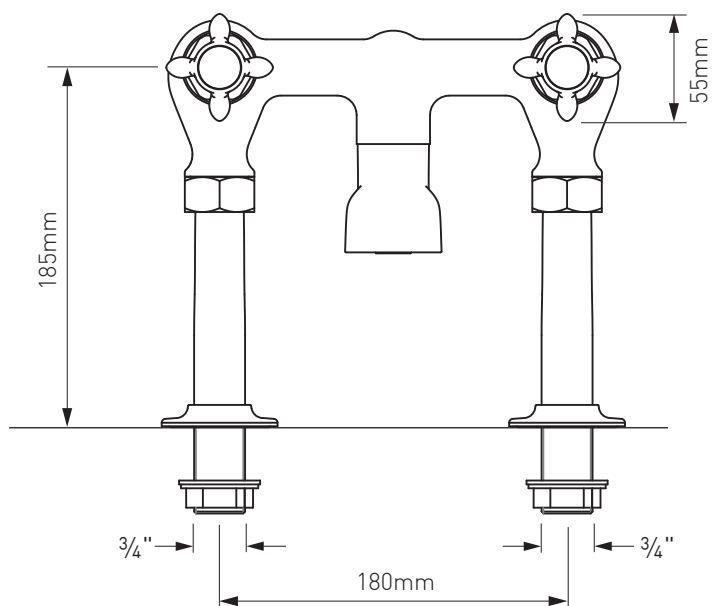
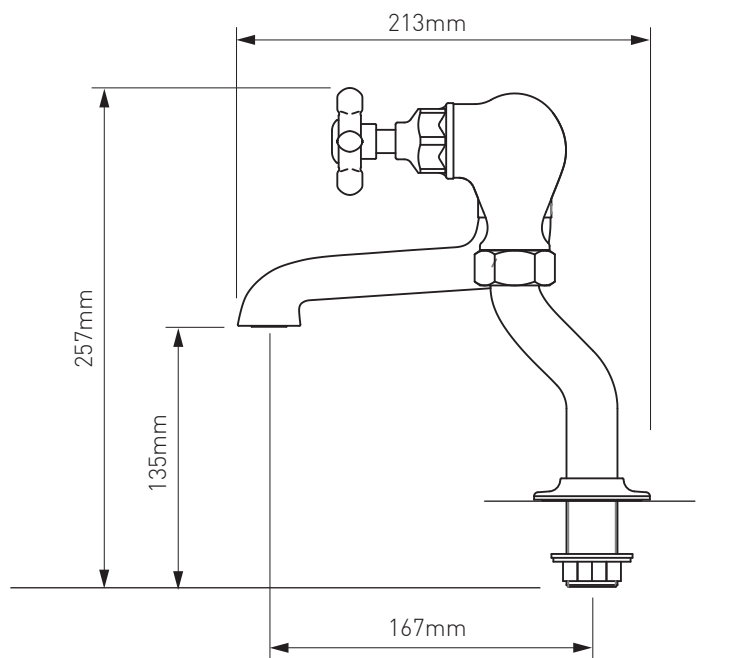


Lever handles with spring washer,  
lock washer, screw and screw cover

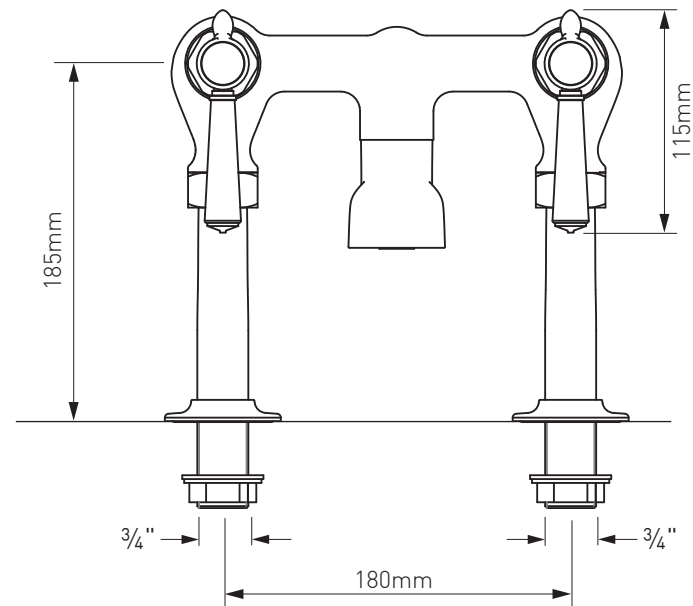
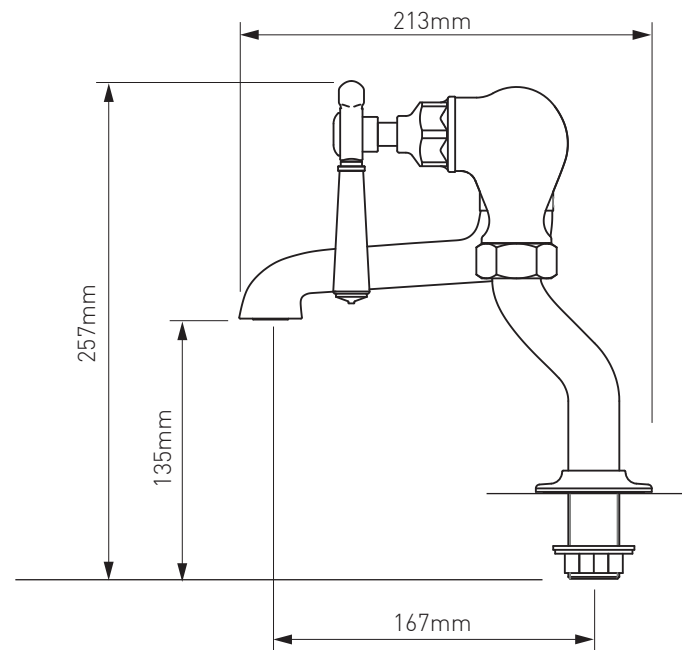


Mixer body  
with O-rings, washers & nuts

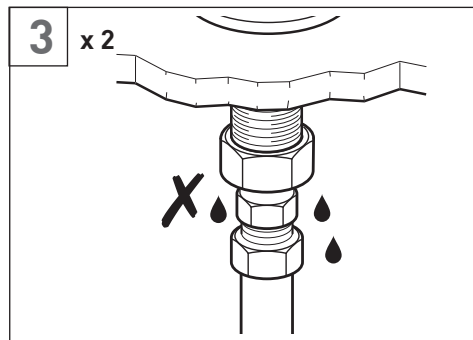
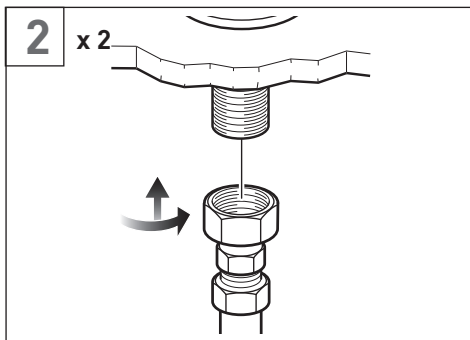
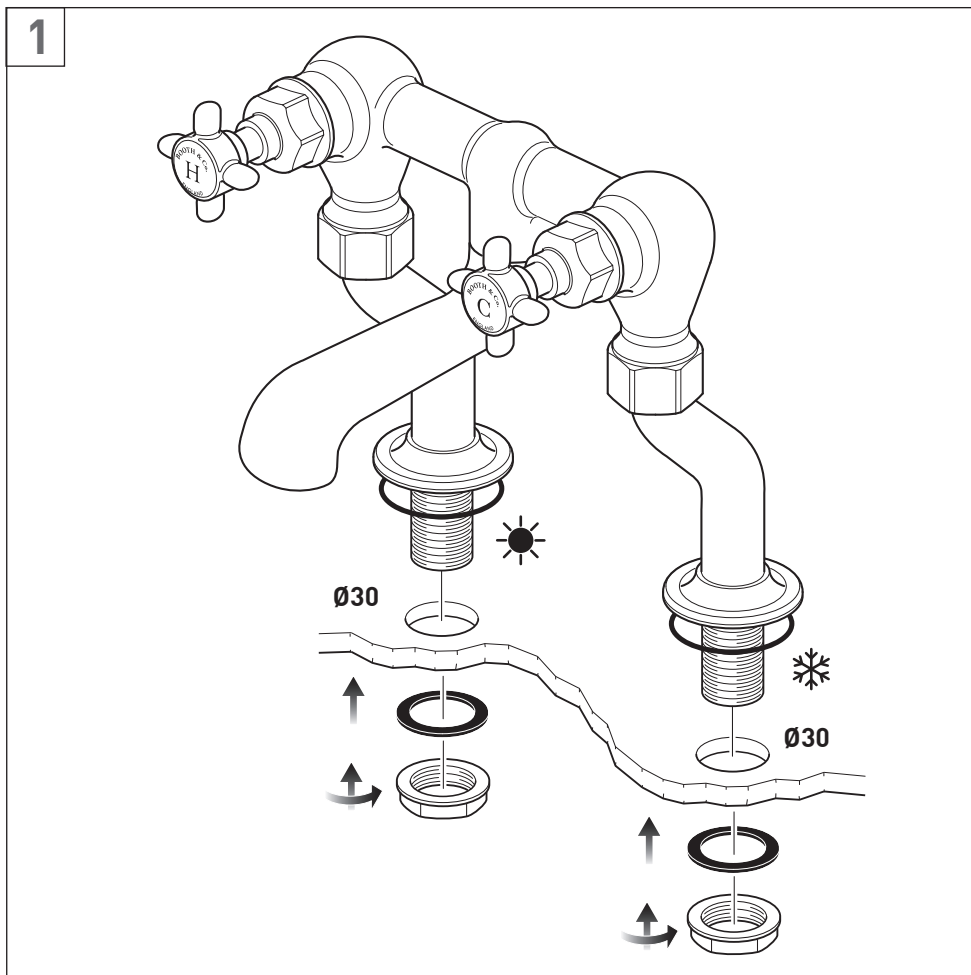
## Dimensions - traditional handles



## Dimensions - lever handles



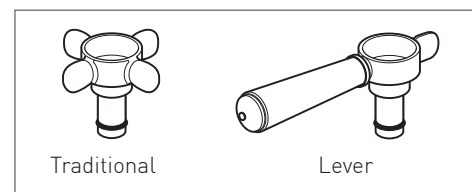
## Installation - Quick guide



## Installation - handles

The handles can be fitted before or after the main installation. For illustrative purposes only the handles are being fitted before the tap installation. Please follow the same procedure to fit the handles after the tap has been installed.

For illustrative purposes only the traditional handle is shown. The same procedure applies to install the lever handle.



### Installing the handles

Remove cover nut and valve from the tap body, and then remove the lock nut from the valve. They should only be hand tight. See Fig. 1

Screw the valve back into the tap body. Place a handle onto splines and using light force only turn the handle clockwise until you feel a noticeable resistance when the base of valve touches down on the body of the tap.

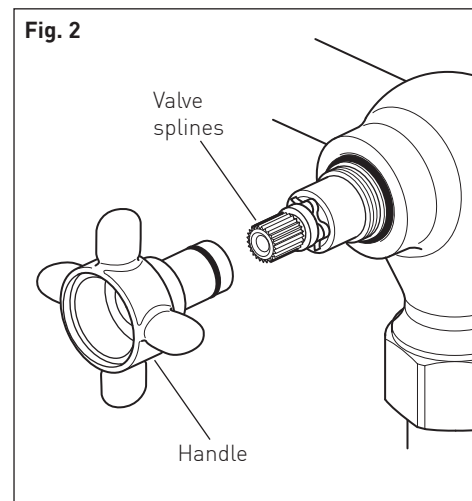
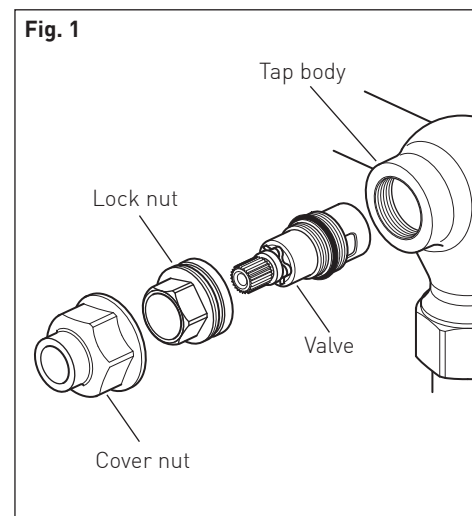
Turn the handle so the valve is in the closed position, then remove the handle and refit back onto the spline so it is as square as possible (do not worry if it is not perfectly aligned at this stage).

Without forcing the handle, adjust the handle and the valve together so that the handle is perfectly straight making sure you do not unscrew the valve by more than 20°. Should you do so you will need to go back to the beginning of this section and start again.

Test the action of the handle and valve making sure that the handle is perfectly straight in the off position. Remove the handle. See Fig. 2

### Lever handle

The lever on the handle should point down when in the off position.



## Installation - handle

Place the lock nut over the valve and screw down. Use a torque wrench to tighten the nut down to 20Nm. **See Fig. 3**

Screw the cover nut onto the valve, hand tight only.

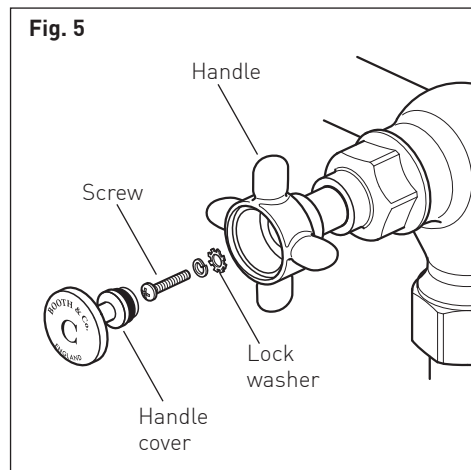
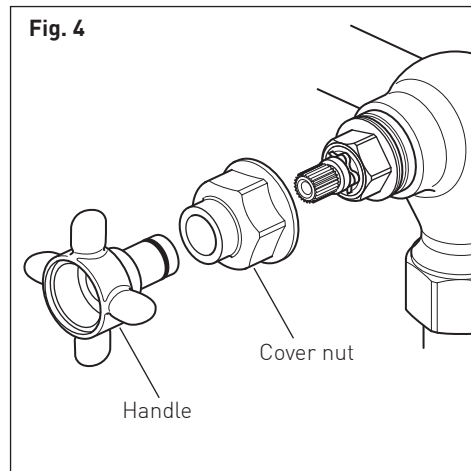
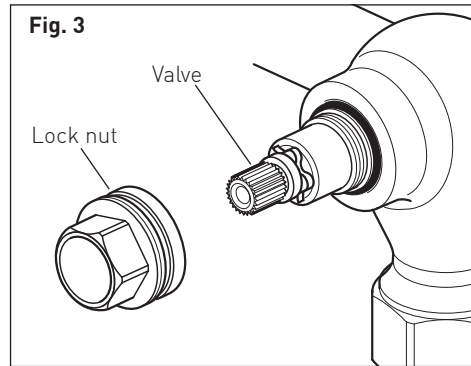
Carefully slide the handle onto the splines of the valve with the handle pointing in the correct position.

**See Fig. 4**

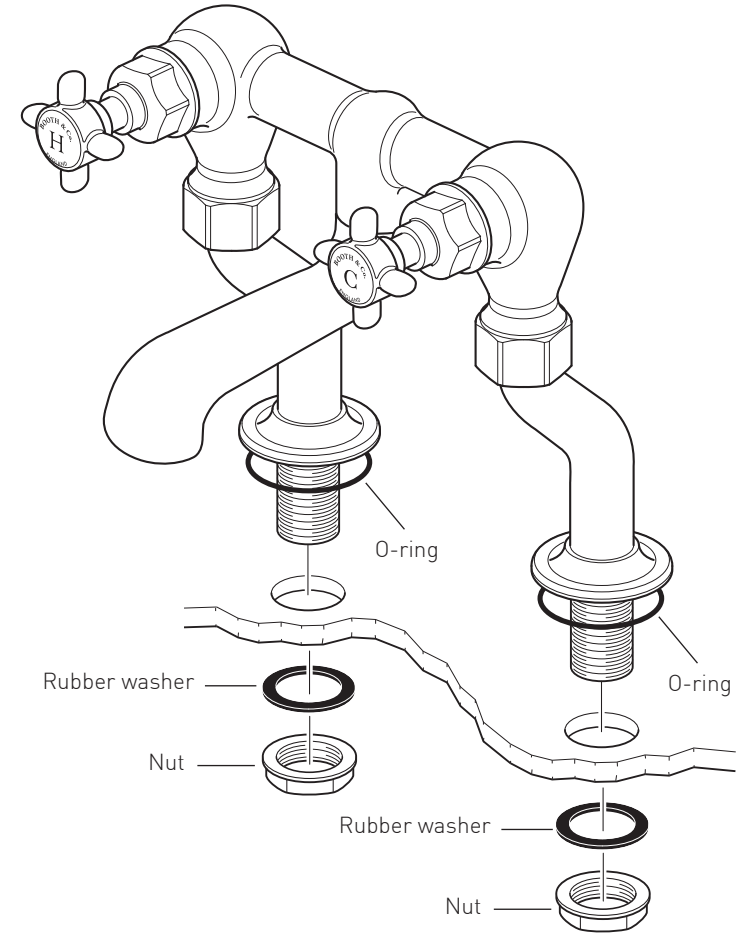
Finally secure the handle in position. Place the lock washer onto the screw and down through the handle, tighten using a cross head screwdriver.

Push on the handle cover.

**See Fig. 5**



## Installation - tap



Before installing your new tap, flush through the pipe work to ensure removal of debris, turn off the water supply.

Make sure that the O-ring is in position on the underside of the base.

Position the tap on the bath.

From the underside of the bath fit both washers and nuts. Tighten the nuts to clamp the mixer to the bath.

**CAUTION:** Do not over tighten the nuts as this may damage the bath.

Connect the water supply to the inlet pipes. The hot water should be connected to the left and cold to the right.

Turn on the water and check for leaks.

Notes

Notes