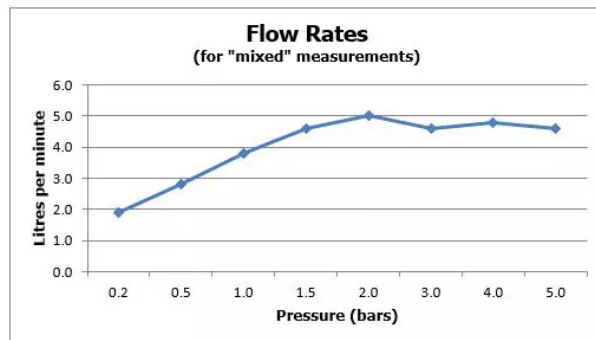


# SPECIFICATION SHEET

COLLECTION: LIFE

PRODUCT CODE: LIF-200/SB-CP



The flow rate displayed is calculated using ideal system conditions. This result should only be taken as an indication as the flow rate may vary depending on the specific in-situ configuration.

## TAP TYPE

Basin Mixer

## COLLECTION NAME

Life

## FINISH

Chrome

## RECOMMENDED FLOW REGULATOR

5 l/m flow regulator fitted as standard

## MINIMUM OPERATING PRESSURE

1.0 Bar MP

## MAXIMUM OPERATING PRESSURE

5.0 Bar HP

## GUARANTEE

15 Year Guarantee

## HANDLES

Single Lever

## WITH ECOTURN COLD START TECHNOLOGY

No

tel: 01934 744466  
email: sales@vado.com  
www.vado.com

WHERE INSPIRATION FLOWS  
TAPS | SHOWERS | ACCESSORIES



# SPECIFICATION SHEET

COLLECTION: LIFE

PRODUCT CODE: LIF-200/SB-CP

WITH WATER FLOW STRAIGHTENER

No

WITH WATER FLOW AERATOR

Yes

CONNECTIONS / FITTINGS

2 x 1/2" 400mm flexipipe connections

SPARE PARTS

ceramic cartridge C010-N25

DECK HOLE DRILL DIAMETER

35mm

STYLE

Oval

MOUNTING

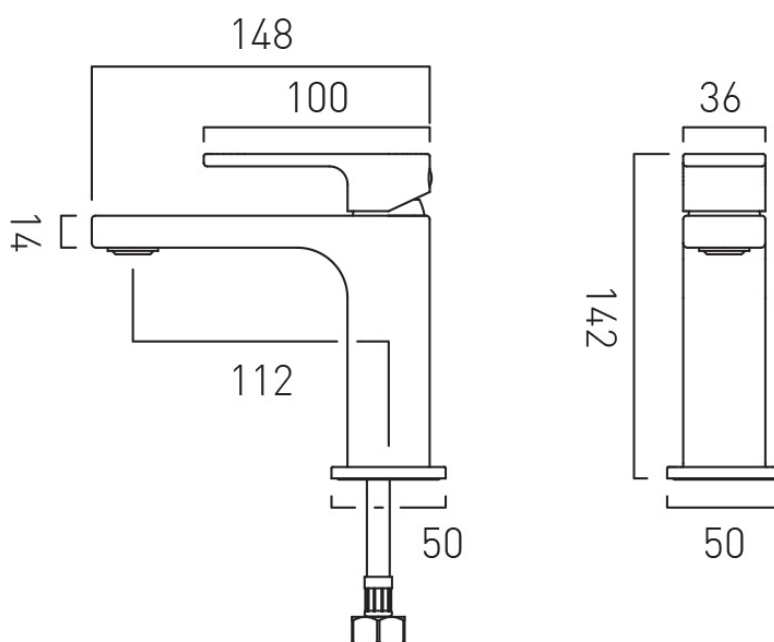
Deck Mounted

PLUMBING SYSTEM SUITABILITY

Pumped System, Combination Boiler, Pressurised System

# TECHNICAL DRAWING

COLLECTION: LIFE  
PRODUCT CODE: LIF-200/SB-CP



tel: 01934 744466  
email: sales@vado.com  
www.vado.com

WHERE INSPIRATION FLOWS  
TAPS | SHOWERS | ACCESSORIES

