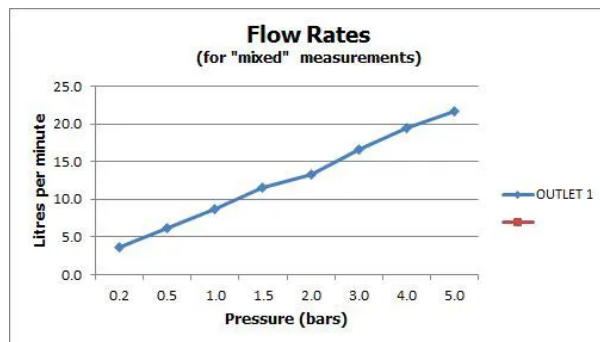


SPECIFICATION SHEET

COLLECTION: LIFE

PRODUCT CODE: LIF-110/SB-C/P



The flow rate displayed is calculated using ideal system conditions. This result should only be taken as an indication as the flow rate may vary depending on the specific in-situ configuration.

TAP TYPE

Bidet Mixer

PLUMBING SYSTEM SUITABILITY

Pumped System, Combination Boiler, Pressurised System

MOUNTING

Deck Mounted

STYLE

Oval

WASTE

without Pop-up Waste

DECK HOLE DRILL DIAMETER

35mm

SPARE PARTS

ceramic cartridge CAR-K35B

HANDLES

Single Lever

CONNECTIONS / FITTINGS

2 x 1/2" 400mm flexipipe connections

tel: 01934 744466
email: sales@vado.com
www.vado.com

WHERE INSPIRATION FLOWS
TAPS | SHOWERS | ACCESSORIES



SPECIFICATION SHEET

COLLECTION: LIFE
PRODUCT CODE: LIF-110/SB-C/P

WITH WATER FLOW AERATOR

Yes

COLLECTION NAME

Life

FINISH

Chrome

RECOMMENDED FLOW REGULATOR

FR-100/5-PLA

MINIMUM OPERATING PRESSURE

1.0 Bar MP

MAXIMUM OPERATING PRESSURE

5.0 Bar HP

GUARANTEE

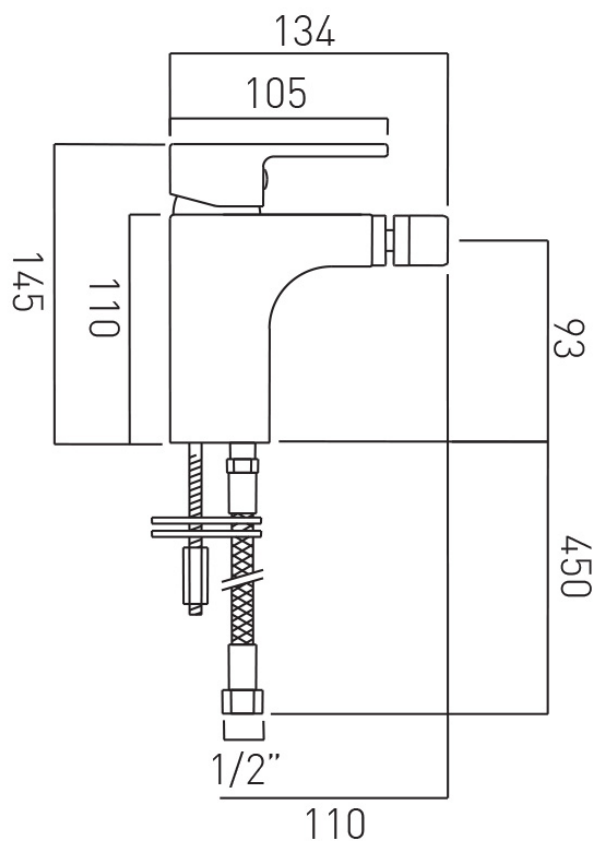
15 Year Guarantee



TECHNICAL DRAWING

COLLECTION: LIFE

PRODUCT CODE: LIF-110/SB-C/P



tel: 01934 744466
email: sales@vado.com
www.vado.com

WHERE INSPIRATION FLOWS
TAPS | SHOWERS | ACCESSORIES

