

SPECIFICATION SHEET

COLLECTION: WASTES & FITTINGS
PRODUCT CODE: WG-1389-RO-CP



TAP TYPE

Wastes and Fittings

COLLECTION NAME

Wastes & Fittings

FINISH

Chrome

GUARANTEE

15 Year Guarantee

PLUMBING SYSTEM SUITABILITY

Pressurised System

STYLE

Round

CONNECTIONS / FITTINGS

1.1/2" x 16mm threaded outlet connection

INSTALLATION TOLERANCES

Min-max overflow bath thickness 1mm-14mm

tel: 01934 744466
email: sales@vado.com
www.vado.com

WHERE INSPIRATION FLOWS
TAPS | SHOWERS | ACCESSORIES



SPECIFICATION SHEET

COLLECTION: WASTES & FITTINGS
PRODUCT CODE: WG-1389-RO-CP

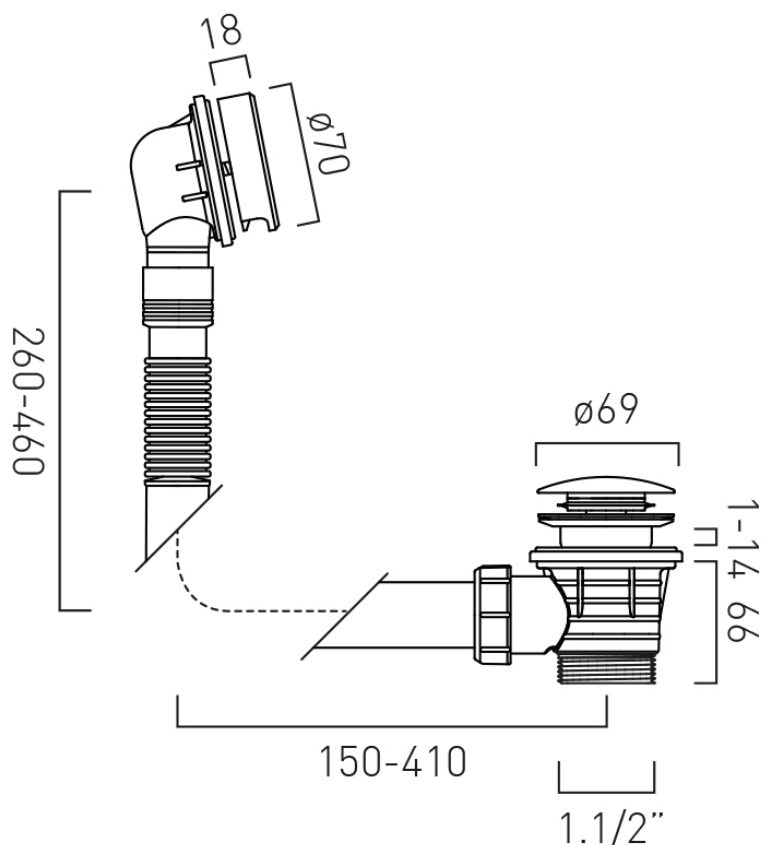
tel: 01934 744466
email: sales@vado.com
www.vado.com

WHERE INSPIRATION FLOWS
TAPS | SHOWERS | ACCESSORIES



TECHNICAL DRAWING

COLLECTION: WASTES & FITTINGS
PRODUCT CODE: WG-1389-RO-CP



tel: 01934 744466
email: sales@vado.com
www.vado.com

WHERE INSPIRATION FLOWS
TAPS | SHOWERS | ACCESSORIES

