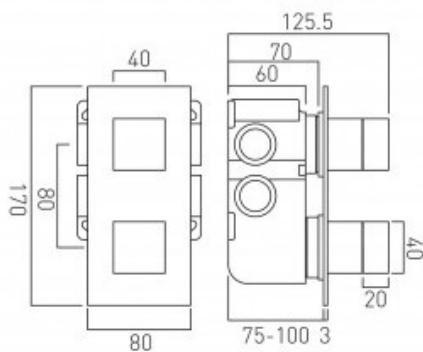




**technical drawing**



**description:**

notion vertical concealed 2 outlet, 2 handle thermostatic shower valve with all-flow function  
wall mounted  
with horizontal rectangular backplate  
thermostatic cartridge V-001C-PLA  
diverter cartridge F-401-DIV  
2 x 3/4" female inlets  
2 x 3/4" female outlets  
includes fittings for 1/2" and 3/4" pipework  
minimum operating pressure 0.2 bar LP (shower) 1.0 bar MP (bath)  
min-max wall mount 75-100mm (standard)  
optimum installation depth 88mm (standard)

**finishes:**

chrome

**minimum operating pressure:** 0.2 bar LP (shower), 1.0 bar MP (bath)

**guarantee:**

12 year guarantee