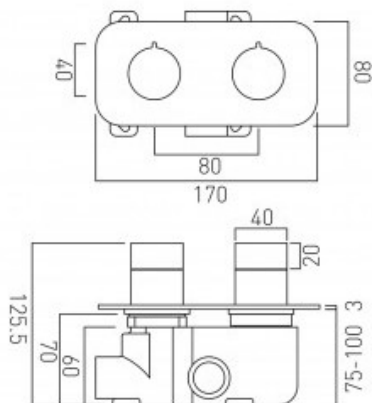




technical drawing



description:

tablet altitude horizontal concealed 1 outlet, 2 handle
thermostatic shower valve
wall mounted
with horizontal rectangular backplate
thermostatic cartridge V-001C-PLA
flow cartridge F-305-RTC
2 x 3/4" female inlets
1x 3/4" female outlet
includes fittings for 1/2" and 3/4" pipework
minimum operating pressure 0.2 bar LP (shower) 1.0 bar
MP (bath)
min-max wall mount 75-100mm (standard)
optimum installation depth 88mm (standard)

finishes:

chrome

minimum operating pressure: 0.2 bar LP (shower), 1.0 bar
MP (bath)

guarantee:

12 year guarantee