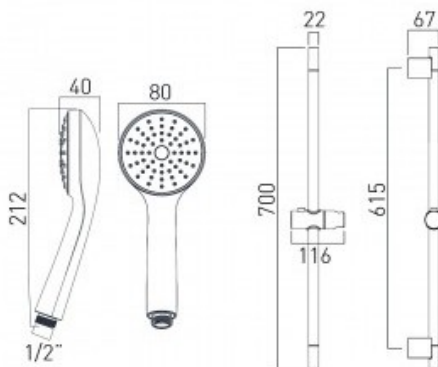




technical drawing



description:

- eris single-function slide rail shower kit with
- single function handset
 - rub-clean
 - 700mm slide rail
 - 150cm shower hose
 - wall mounted

finishes:

chrome

minimum operating pressure: 0.2 bar LP

Eco flow regulator: FR-SHOWER/9-C/P

guarantee:

12 year guarantee