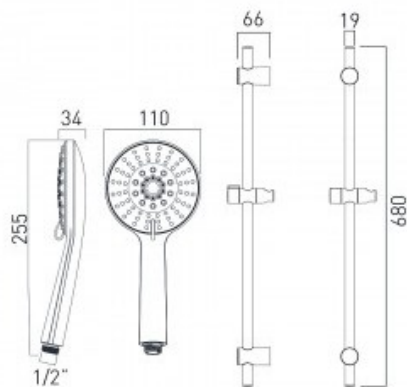




technical drawing



description:

evolve multi-function slide rail shower kit with smooth hose with

- 4 function handset
- rub-clean
- 680mm slide rail
- 150cm smoothflex anti-twist shower hose
- hose retainer
- wall mounted

finishes:

chrome

minimum operating pressure: 0.2 bar LP

ECO flow regulator: FR-SHOWER/9-C/P

guarantee:

12 year guarantee