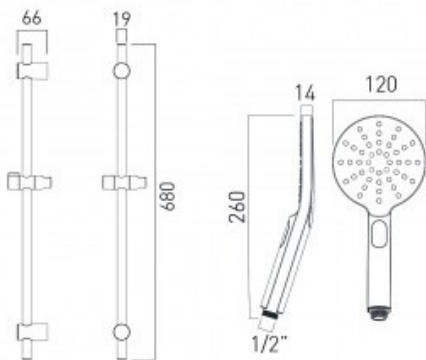




technical drawing



description:

- nebula round multi-function slide rail shower kit with
- 3 function push-button control handset
 - rub-clean
 - 680mm slide rail
 - 150cm shower hose
 - hose retainer
 - wall mounted

finishes:

chrome

minimum operating pressure: 1.0 bar MP

Eco flow regulator: FR-SHOWER/9-C/P

guarantee:

12 year guarantee