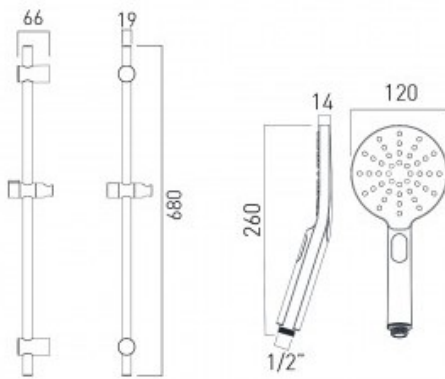




technical drawing



**description:**

- nebula round multi-function slide rail shower kit with smooth hose with
- 3 function push-button control handset
  - rub-clean
  - 680mm slide rail
  - 150cm smoothflex anti-twist silver shower hose
  - hose retainer
  - wall mounted

**finishes:**

chrome

**minimum operating pressure:** 1.0 bar MP

**ECO** flow regulator: FR-SHOWER/9-C/P

**guarantee:**

12 year guarantee