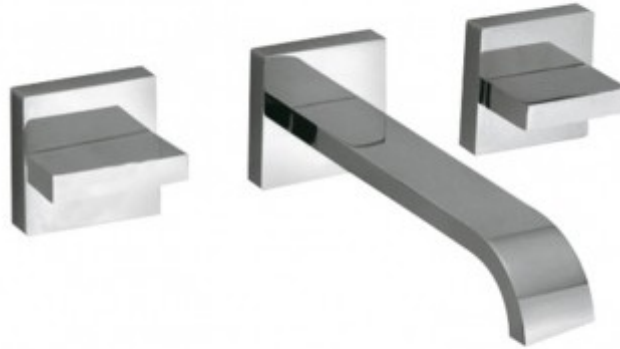


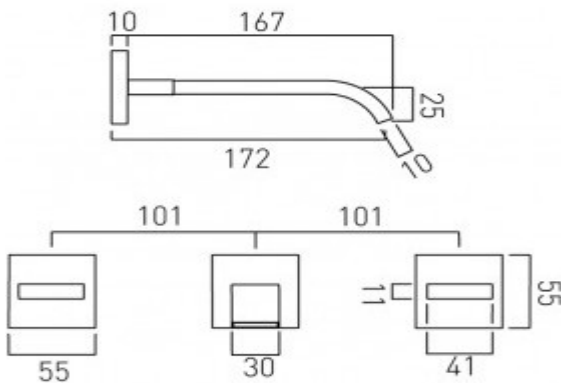


it's a personal experience
taps | showering | accessories

technical sheet
product code: GEO-109-C/P



technical drawing:



description: 3 hole basin mixer wall mounted with water aerator ceramic cartridge GEO-109-VALVE/CD/CL & GEO-109-VALVE/CD/HT 2 x 1/2" male x 1/2" male x 90mm straight connections and 1 x 1/2" x 1/2" x 1/2" x 47mm female connections (T-piece) min-max wall mount 59-68mm

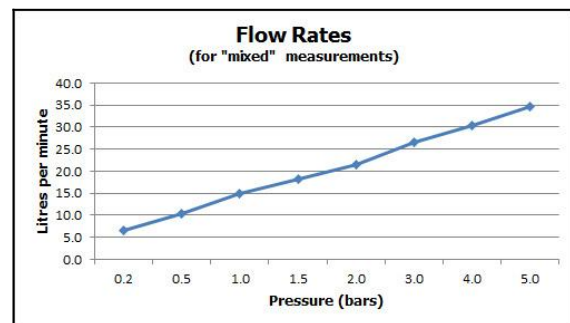
finishes: chrome

ECO recommended flow regulator product code: FR-106/4-PLA

guarantee: 12 year guarantee

minimum operating pressure: 0.2 bar LP

flow rate at 3.0 bar flow pressure: 27 l/min



'mixed measurements' refers to equal hot and cold water supply flow rate for unregulated flow unless flow regulator fitted as standard

certificates and awards:



cert no. 1106317

VADO wedmore road cheddar somerset england bs27 3eb
tel 01934 744466 fax 01934 744345 sales@vado-uk.com www.vado-uk.com