

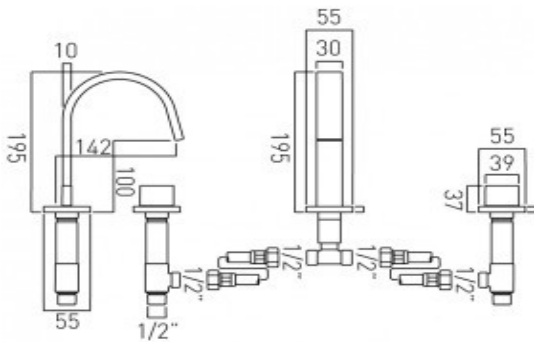


it's a personal experience
taps | showering | accessories

technical sheet
product code: GEO-101-C/P



technical drawing:



description: 3 hole basin mixer
spout can swivel or be fixed
deck mounted
without pop-up waste
with water flow straightener
1/2" ceramic disc 1/4 turn valves
ceramic cartridge GEO-VALVE/CD/CL-1/2 and
GEO-VALVE/CD/HT-1/2
2 x 1/2" x 1/2" x 500mm flexipipe connections
1/2" male x 1/2" male x 1/2" female T piece connection
spout deck mount drill hole diameter 28mm
valve deck mount drill hole diameter 33mm

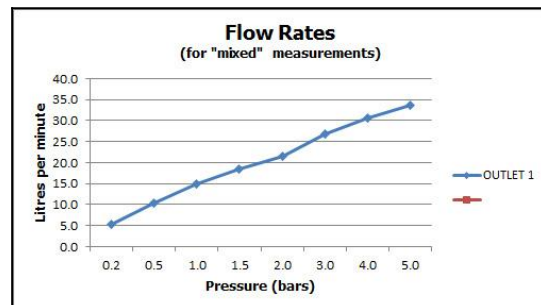
finishes: chrome

ECO recommended flow regulator product code: FR-FLEXI/5-PLA

guarantee: 12 year guarantee

minimum operating pressure: 1.0 bar MP

flow rate at 3.0 bar flow pressure: 27 l/min



'mixed measurements' refers to equal hot and cold water supply
flow rate for unregulated flow unless flow regulator fitted as standard

certificates and awards:



cert no. 1505016

VADO wedmore road cheddar somerset england bs27 3eb
tel 01934 744466 fax 01934 744345 sales@vado-uk.com www.vado-uk.com