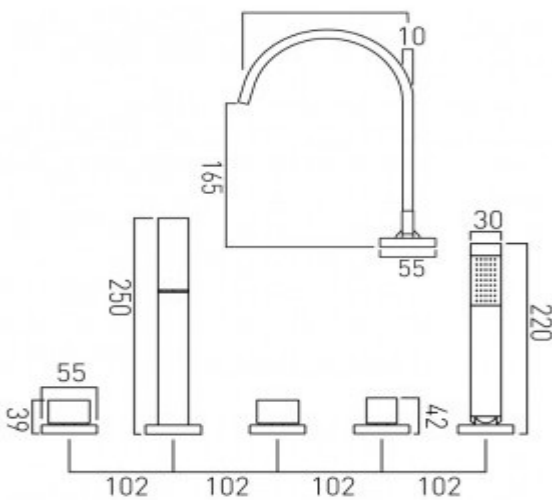




technical drawing:



description:

5 hole bath shower mixer deck mounted
spout can swivel or be fixed with water flow straightener
3/4" ceramic disc 1/4 turn valves
ceramic cartridge GEO-VALVE/CD/CL-3/4 and GEO-VALVE/CD/HT-3/4
1 x 1/2" x 3/8" x 200cm showerhose FxF
3 x 3/4" x 3/4" x 500mm flexipipe connections
spout deck mount drill hole diameter 28-30mm
valve deck mount drill hole diameter 37mm
diverter deck mount drill hole diameter 46mm
handset deck mount drill hole diameter 30mm
min-max bath thickness 6-38mm

finishes:

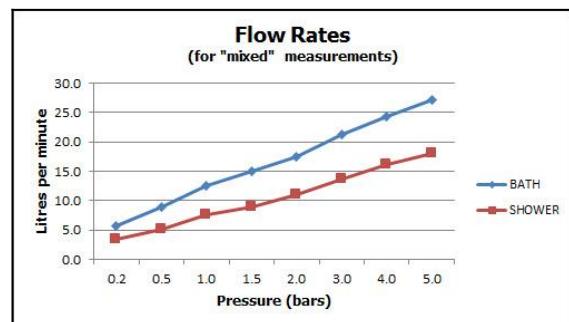
chrome

recommended flow regulator product code: FR-SHOWER/9-C/P

guarantee: 12 year guarantee

minimum operating pressure: 1.5 bar MP

flow rate at 3.0 bar flow pressure: Bath: 21, Shower: 14 l/min



'mixed measurements' refers to equal hot and cold water supply
flow rate for unregulated flow unless flow regulator fitted as standard