

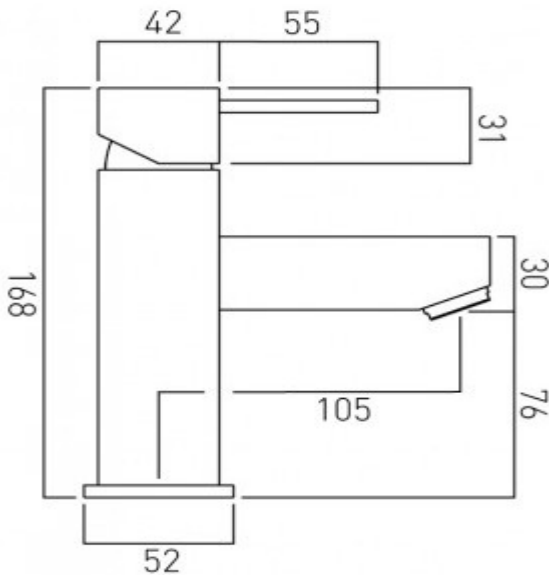


it's a personal experience  
taps | showering | accessories

technical sheet  
product code: TE-100/SB-C/P



technical drawing:



**description:** mono basin mixer  
single lever  
deck mounted  
smooth bodied  
without clic-clac waste  
with water flow aerator  
ceramic cartridge CAR-K35A  
2 x 1/2" x 400mm flexipipe connections  
deck mount drill hole diameter 32mm

**finishes:** chrome

**ECO** recommended flow regulator product code: FR-100/5-PLA

**guarantee:** 12 year guarantee

**minimum operating pressure:** 0.2 bar LP

**flow rate at 3.0 bar flow pressure:** 14 l/min

**certificates and awards:**



cert no. 1312026