

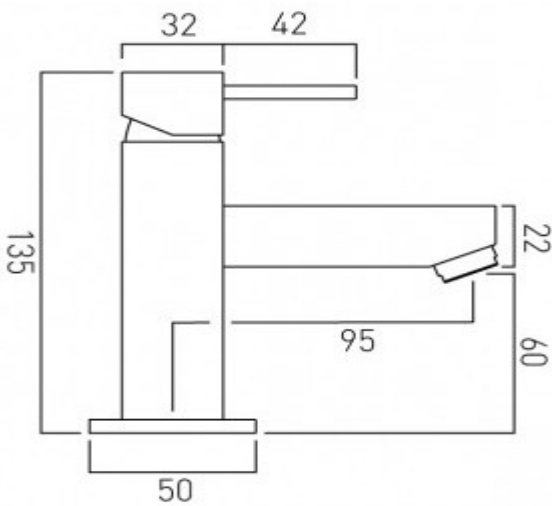


it's a personal experience
taps | showering | accessories

technical sheet
product code: TE-100M/SB-C/P



technical drawing:



description: mini mono basin mixer
single lever
deck mounted
smooth bodied
without clic-clac waste
with water flow aerator
ceramic cartridge CAR-K25A/TE
2 x 1/2" x 400mm flexipipe connections
deck mount drill hole diameter 30mm

finishes: chrome

Eco recommended flow regulator product code: FR-FLEXI/5-PLA

guarantee: 12 year guarantee

minimum operating pressure: 0.5 bar LP

flow rate at 3.0 bar flow pressure: 9 l/min