

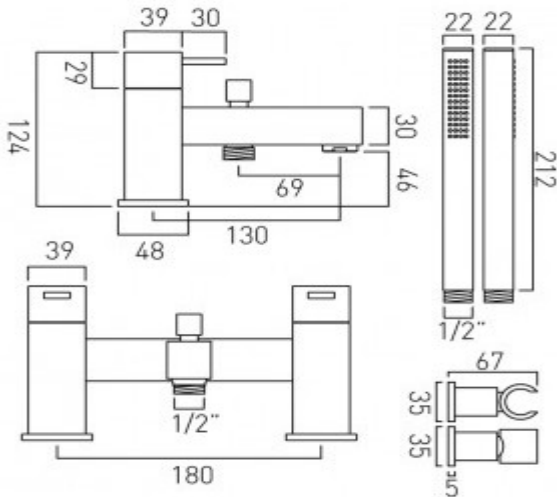


it's a personal experience
taps | showering | accessories

technical sheet
product code: TE-130+K-C/P



technical drawing:



description: 2 hole bath shower mixer deck mounted with shower kit with water flow straightener cold ceramic cartridge TE-VALVE/CD/CL-3/4 hot ceramic cartridge TE-VALVE/CD/HT-3/4 2 x 3/4" x 55mm fixed tails deck mount drill hole diameter 28-30mm

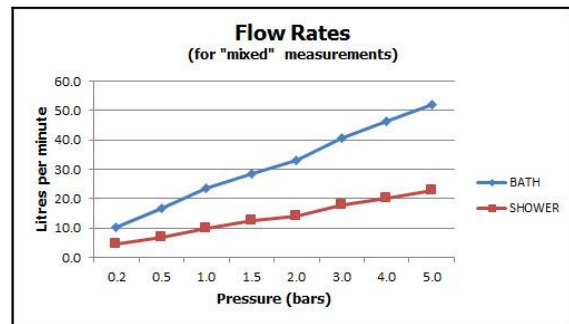
finishes: chrome

Eco recommended flow regulator product code: FR-SHOWER/9-C/P

guarantee: 12 year guarantee

minimum operating pressure: 0.2 bar LP

flow rate at 3.0 bar flow pressure: Bath: 41, Shower: 18 l/min



'mixed measurements' refers to equal hot and cold water supply flow rate for unregulated flow unless flow regulator fitted as standard