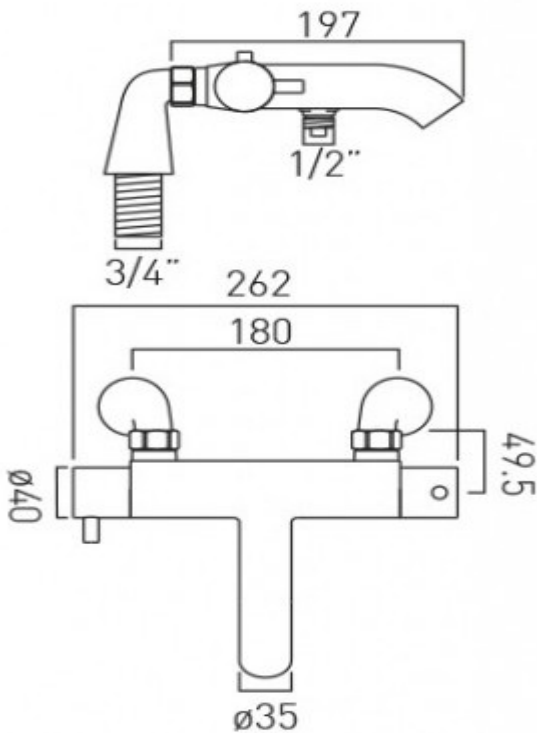




technical drawing:



**description:** 2 hole thermostatic bath shower mixer  
pillar mounted  
with shower kit  
with water flow aerator  
thermostatic cartridge V-001C-PLA  
3/4" x 50mm threaded connection on legs  
deck mount drill hole diameter 28mm

**finishes:** chrome

**ECO** recommended flow regulator product code: FR-SHOWER/9-C/P

**guarantee:** 12 year guarantee

**minimum operating pressure:** 1.5 bar MP

**certificates and awards:**



cert no. 1105308 cert no. BC1525/0115